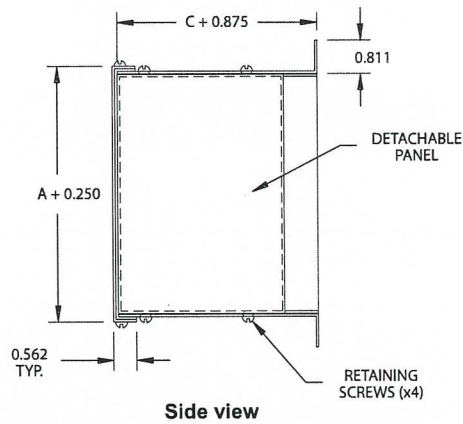
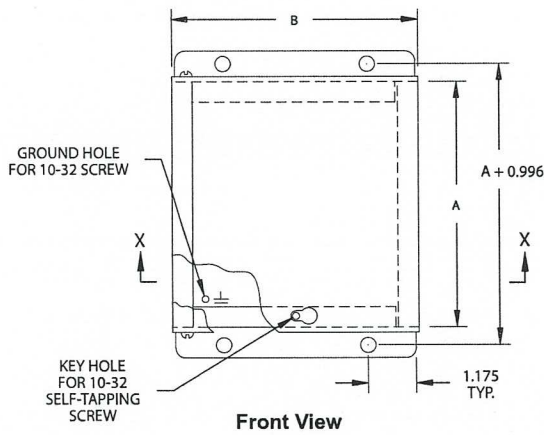
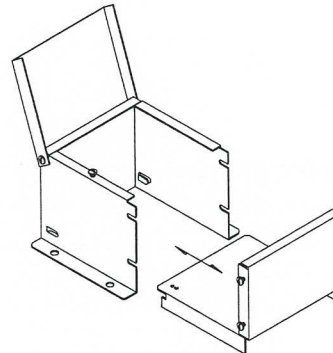
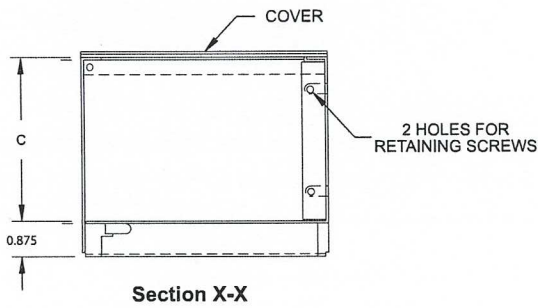




EL Series

EEMAC / NEMA 1 General Purpose Box



Application:

Type 1 enclosure used for various industrial applications. A small enclosure with BIG potential!

Construction:

- 16 gauge steel
- Pre-punched side holes to accommodate screw-hinged cover
- Grounding screw provided with each model
- Punched in ground symbol
- All zinc plated assembly screws provided
- ANSI/ASA61 grey polyester textured powder coating inside out

Also Available:

- Cutouts, louvers, knockouts
- Special finishes & sizes

Standards:

- CSA certified 150359
- UL listed E109311

TECHNICAL READOUT

Catalog No.	Dimensions			Weight lbs.
	A	B	C	
EL664	6	6	4	4
EL884	8	8	4	5
EL10104	10	10	4	7
EL12124	12	12	4	9
EL12126	12	12	6	10

