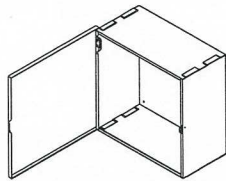
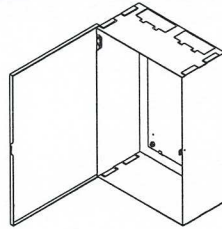


**BEL** MC and C-UG Series

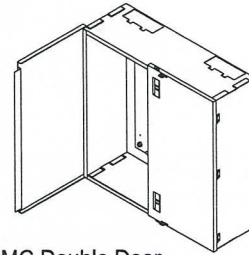
**EEMAC / NEMA 1**  
Metering Cabinets



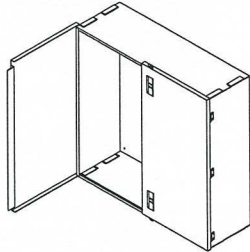
C-UG Single Door



MC Single Door



MC Double Door



C-UG Double Door

**TECHNICAL READOUT**

Catalog No.	Dimensions (box)			Panel		Weight lbs
	A	B	C	F	G	
<b>SINGLE DOOR</b>						
MC271310*	27	13	10	23 x 9		32
MC202010	20	20	10	16 x 16		38
MC302010	30	20	10	26 x 16		51

\* No meter plates

**DOUBLE DOOR**

MC303010	30	30	10	26 x 26		71
MC363612	36	36	12	32 x 32		121
MC484812	48	48	12	44 x 44		200

**TECHNICAL READOUT**

Catalog No.	Dimensions (box)			Weight lbs
	A	B	C	
<b>SINGLE DOOR</b>				
C202010 UG	20	20	10	32
<b>DOUBLE DOOR</b>				
C303010 UG	30	30	10	70
C363612 UG	36	36	12	92
C484812 UG	48	48	12	182

**MC**

**Application:**

Type 1 enclosure designed for indoor housing of metering transformers.

**Construction:**

- 16 or 14 steel gauge
- Hinged door
- Retractable sealing hasp
- Removable mounting panel
- Grounding hole on mounting panel with grounding screw
- ANSI/ASA61 grey polyester textured powder coating inside out

**Also Available:**

- Special finishes & sizes

**Standards:**

- CSA certified 150359

**C-UG**

**Application:**

Type 1 enclosure designed for indoor housing of metering transformers for underground installation.

**Construction:**

- 16 or 14 steel gauge
- Hinged door
- Sliding padlocking hasp (developed by **BEL**; Hydro Quebec & Hydro Ontario approved) on double door models
- ANSI/ASA61 grey polyester textured powder coating inside out

**Also Available:**

- Special finishes & sizes

**Standards:**

- CSA certified 150359

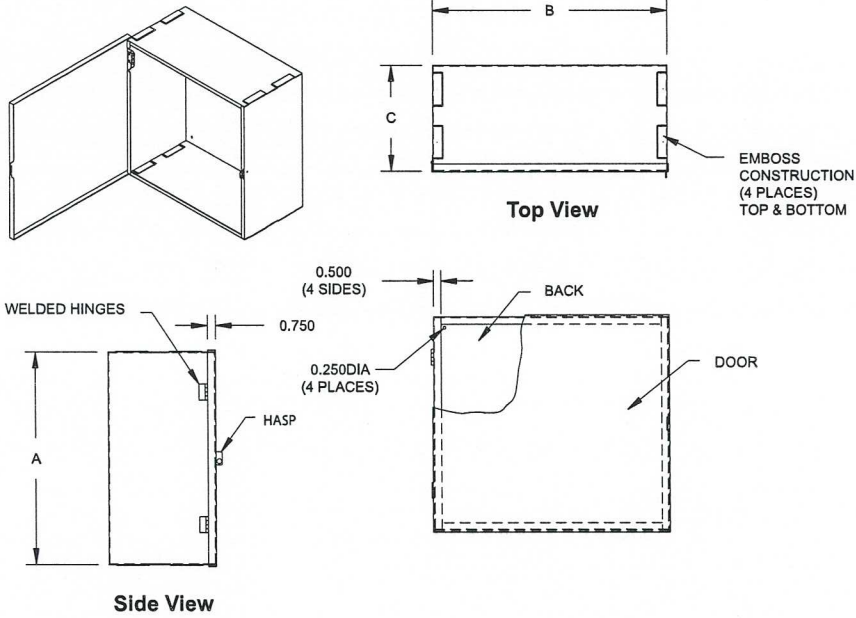




# C-UG Series

# EEMAC / NEMA 1 Metering Cabinets

## Single Door



## Double Door

### Double Door

