



S..Al / S..SS

EEMAC / NEMA 4-4x-12 / IP-65 Hinged Lift-Off Cover Enclosures

Hinged Lift-Off Aluminium Enclosures

TECHNICAL READOUT

Catalog No.	Dimensions			Panel		Weight lbs
	A	B	C	E	F	
S040403AL	4	4	3	no panel		1
S060403AL	6	4	3	4.875 x 2.875		1.5
S060604AL	6	6	4	4.875 x 4.875		2.5
S080604AL	8	6	4	6.875 x 4.875		3.5
S100804AL	10	8	4	8.875 x 6.875		4.5
S121005AL	12	10	5	10.875 x 8.875		7
S141206AL	14	12	6	12.875 x 10.875		10
S161406AL	16	14	6	14.875 x 12.875		13
S141208AL	14	12	8	12.875 x 10.875		12
S161410AL	16	14	10	14.875 x 12.875		15

Application:

Type 4-4x-12 / IP-65 aluminium enclosure designed for INDOOR/OUTDOOR housing of electrical, pneumatic or hydraulic instruments where corrosion is a determining factor.

Construction:

- Quality utility grade aluminium
- Continuously welded and ground smooth seams
- 1/4 turn latches
- Galvanized steel panel natural finish (unpainted)
- Grounding screw on mounting panel
- Grounding stud welded on inner cover surface
- ANSI/ASA61 grey polyester textured powder coating inside out

Also Available:

- Aluminium, SS, galvanized steel
- Cutouts, hubs
- Special finishes & sizes

Standards:

- CSA certified 150359
- UL listed E109310
- CE

Hinged Lift-Off Stainless Steel Enclosures

TECHNICAL READOUT

Catalog No.	Dimensions			Panel		Weight lbs
	A	B	C	E	F	
S060404SS	6	4	4	4.875 x 2.875		4
S060604SS	6	6	4	4.875 x 4.875		5
S080604SS	8	6	4	6.875 x 4.875		6
S100804SS	10	8	4	8.875 x 6.875		10
S121005SS	12	10	5	10.875 x 8.875		15
S121206SS	12	12	6	10.875 x 10.875		17
S141206SS	14	12	6	12.875 x 10.875		21
S161406SS	16	14	6	14.875 x 12.875		26
S141208SS	14	12	8	12.875 x 10.875		22
S161410SS	16	14	10	14.875 x 12.875		28

Application:

Type 4-4x-12 / IP-65 stainless steel enclosure designed for INDOOR/OUTDOOR housing of electrical, pneumatic or hydraulic instruments where corrosion is a determining factor.

Construction:

- 16 gauge 304-4 stainless steel
- 14 gauge galvanized steel panel natural finish (unpainted)
- Continuously welded and ground smooth seams
- 1/4 turn latches
- Grounding screw on mounting panel
- Grounding stud welded on inner cover surface

Also Available:

- Cutouts, hubs
- Special finishes

Standards:

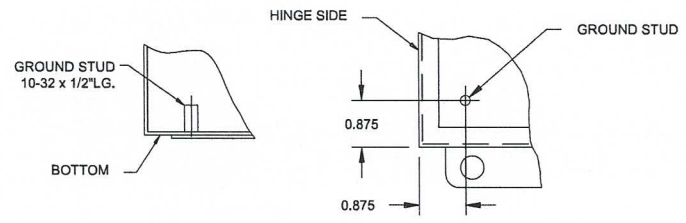
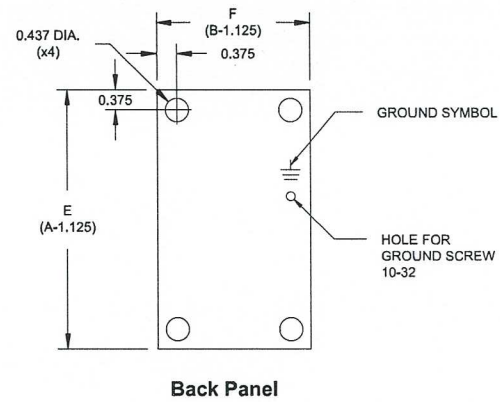
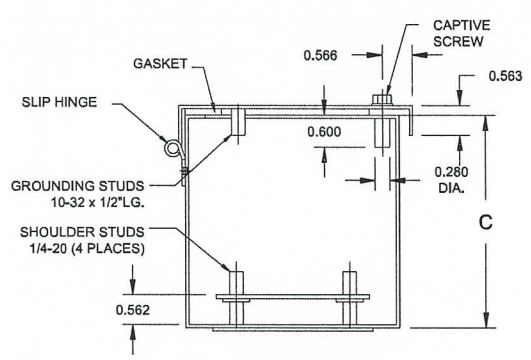
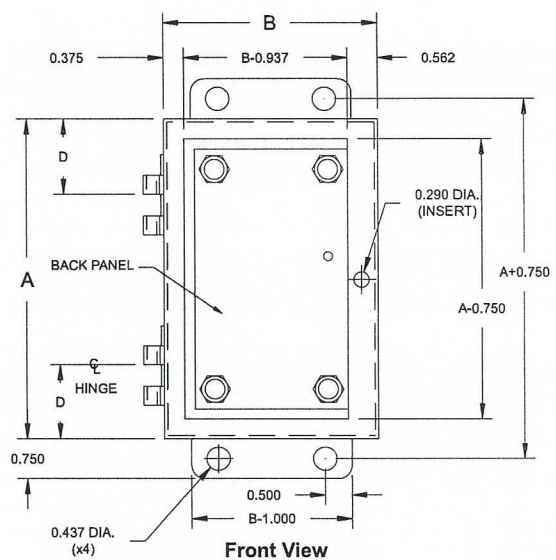
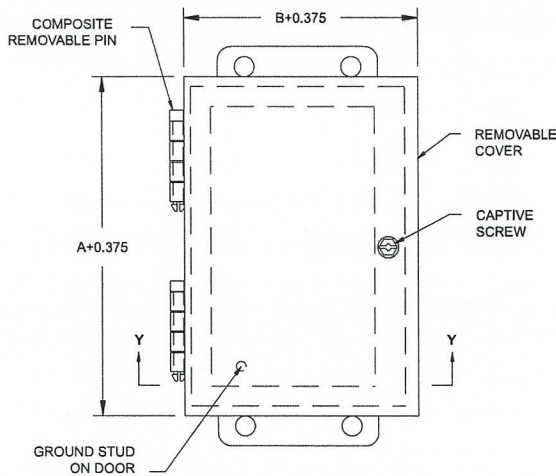
- CSA certified 150359
- UL listed E109310
- CE





S Series

**EEMAC / NEMA 4-4x-12 / IP-65
Hinged Lift-Off Cover Enclosures**



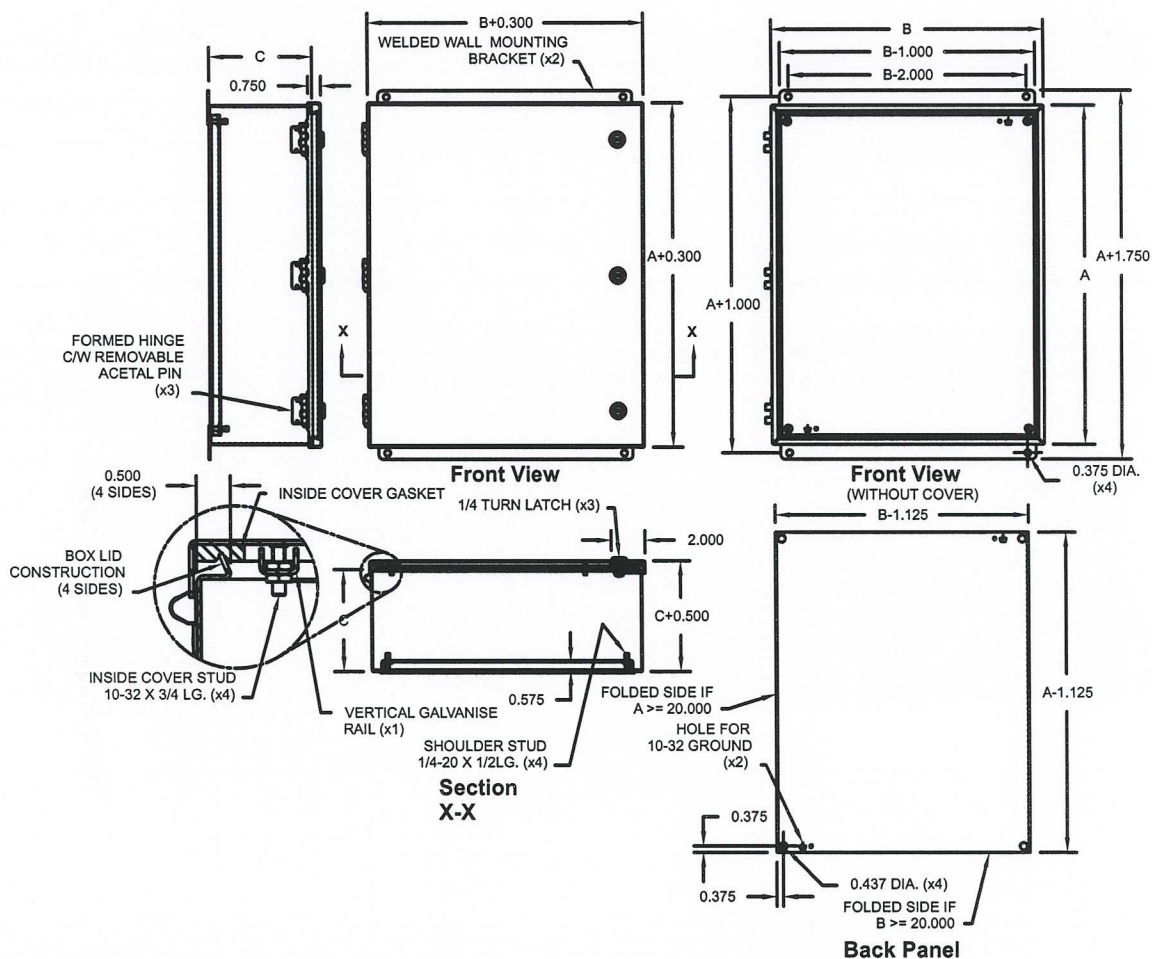
NO MOUNTING PANEL FOR
S040403 & S040404
GROUNDING STUD ONLY





S Series

EEMAC / NEMA 4-4x-12 / IP-65 Hinged Lift-Off Cover Enclosures



TECHNICAL READOUT

A	Hinge		1/4 Turn latch or Captive Screw	Hinge Positions	
	Qty.	Qty.		A	D
0" @ 5"	1	1	Captive screw if $B < 6.000$ 1/4 turn for other	0" @ 5"	C/L
6" @ 9"	2	1		6" @ 9"	1.375
10" @ 16"	2	2		10" @ 16"	2.000
20" @ 24"	2	3		20" @ 24"	2.000





Accessories

Spare Inner Panels For S and R Enclosures

TECHNICAL READOUT

Catalog No.	Box Size		Panel Size		Weight lbs.
	Height	Width	Height	Width	
ASP0604	6	x 4	4.875	x 2.875	0.5
ASP0606	6	x 6	4.875	x 4.875	0.75
ASP0806	8	x 6	6.875	x 4.875	1
ASP0808	8	x 8	6.875	x 6.875	1.25
ASP1008	10	x 8	8.875	x 6.875	1.5
ASP1010	10	x 10	8.875	x 8.875	2
ASP1210	12	x 10	10.875	x 8.875	2.25
ASP1212	12	x 12	10.875	x 10.875	2.75
ASP1412	14	x 12	12.875	x 10.875	3.25
ASP1614	16	x 14	14.875	x 12.875	4.25
ASP2012	20	x 12	18.875	x 10.875	4
ASP2016	20	x 16	18.875	x 14.875	5
ASP2412	24	x 12	22.875	x 10.875	5
ASP2416	24	x 16	22.875	x 14.875	6
ASP2420	24	x 20	22.875	x 18.875	8

ASP SERIES

Spare inner panels for all S enclosures

- Made from 14 gauge galvanized steel.
- Natural finish (unpainted)
- All panels have four mounting holes
- Ground symbols and holes

ARP SERIES

Spare inner panels for all R enclosures

- Made from 14 and 12 gauge galvanized steel.
- Natural finish (unpainted)
- All panels have 4 or 6 or 8 mounting holes all depend of the size
- Ground symbols and holes

TECHNICAL READOUT

Catalog No.	Box Size		Panel Size		Weight lbs.
	Height	Width	Height	Width	
ARP1612	16	x 12	13	x 9	3.75
ARP1616	16	x 16	13	x 13	5.25
ARP2012	20	x 12	17	x 9	4.75
ARP2016	20	x 16	17	x 13	6.75
ARP2020	20	x 20	17	x 17	10
ARP2412	24	x 12	21	x 9	6.5
ARP2416	24	x 16	21	x 13	9
ARP2420	24	x 20	21	x 17	12
ARP2424	24	x 24	21	x 21	15
ARP3012	30	x 12	27	x 9	9
ARP3016	30	x 16	27	x 13	12
ARP3020	30	x 20	27	x 17	16
ARP3024	30	x 24	27	x 21	18
ARP3030	30	x 30	27	x 27	24
ARP3624	36	x 24	33	x 21	23
ARP3630	36	x 30	33	x 27	28
ARP3636	36	x 36	33	x 33	34
ARP4224	42	x 24	39	x 21	27
ARP4230	42	x 30	39	x 27	35
ARP4236	42	x 36	39	x 33	42
ARP4824	48	x 24	45	x 21	31
ARP4830	48	x 30	45	x 27	41
ARP4836	48	x 36	45	x 33	49
ARP6036	60	x 36	57	x 33	60
ARP7230	72	x 30	69	x 27	61
ARP7236	72	x 36	69	x 33	74

