

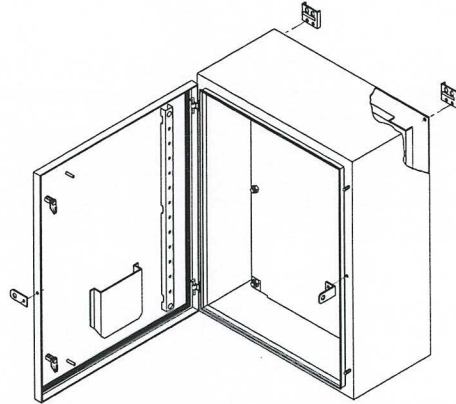


## R...SS Series

## EEMAC / NEMA 4-4x-12 / IP-65 Single Door Stainless Steel Enclosures

### TECHNICAL READOUT

Catalog No.	Dimensions			Panel		Weight lbs
	A	B	C	E	F	
R161206SS	16	12	6	13	x 9	26
R161606SS	16	16	6	13	x 13	32
R201606SS	20	16	6	17	x 13	38
R202006SS	20	20	6	17	x 17	43
R242006SS	24	20	6	21	x 17	55
R161208SS	16	12	8	13	x 9	30
R201608SS	20	16	8	17	x 13	43
R202008SS	20	20	8	17	x 17	47
R241608SS	24	16	8	21	x 13	49
R242008SS	24	20	8	21	x 17	59
R242408SS	24	24	8	21	x 21	68
R243008SS	24	30	8	21	x 27	85
R302008SS	30	20	8	27	x 17	70
R302408SS	30	24	8	27	x 21	82
R303008SS	30	30	8	27	x 27	102
R362408SS	36	24	8	33	x 21	94
R363008SS	36	30	8	33	x 27	121
R423608SS	42	36	8	39	x 33	162
R483608SS	48	36	8	45	x 33	182
R201610SS	20	16	10	17	x 13	48
R242010SS	24	20	10	21	x 17	63
R362410SS	36	24	10	33	x 21	102
R363010SS	36	30	10	33	x 27	127
R423010SS	42	30	10	39	x 27	137
R242412SS	24	24	12	21	x 21	78
R302412SS	30	24	12	27	x 21	90
R363012SS	36	30	12	33	x 27	130
R363612SS	36	36	12	33	x 33	137
R483612SS	48	36	12	45	x 33	197
R603612SS	60	36	12	57	x 33	239
R363016SS	36	30	16	33	x 27	137
R483616SS	48	36	16	45	x 33	213



#### Application:

Type 4-4x-12 / IP-65 stainless enclosure designed for INDOOR/OUTDOOR housing of electrical, pneumatic or hydraulic instruments where corrosion is a determining factor and where severe watering conditions prevail (dairies & breweries).

#### Construction:

- 16 or 14 gauge 304-4 stainless steel
- Removable cover
- Continuously welded and ground smooth seams
- Padlock hasp supplied
- Interchangeable left/right side cover opening
- Cover stabilizing bumpers
- 1/4 turn latches
- Grounding studs welded on inner cover surface
- Galvanized mounting rail
- Galvanized steel mounting panel (unpainted)
- Four (4) stainless wall mounting brackets offering multiple installation positioning
- Self-adhesive polymer BEL data pocket

#### Also Available:

- Swing-out mounting panel kit
- Cutouts, hubs, windows
- Special finishes
- Flush handle

#### Standards:

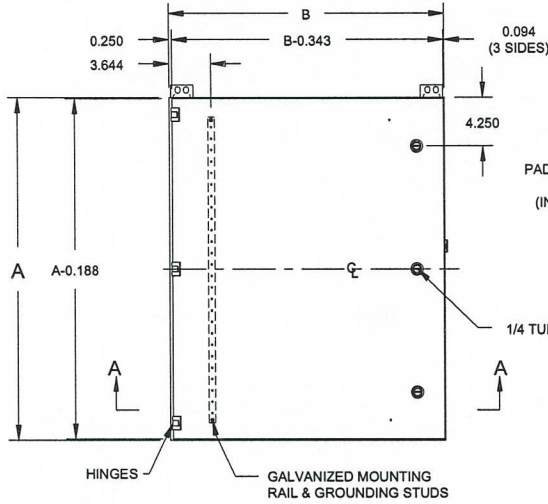
- CSA certified 150359
- UL listed E109310
- CE



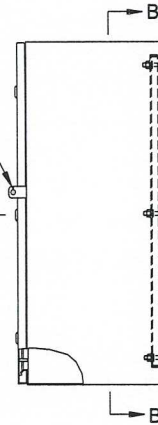


# R Series

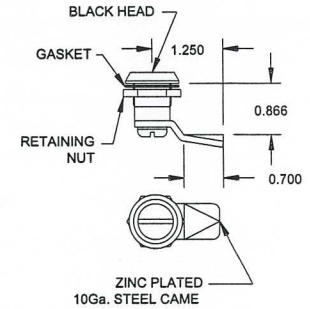
# EEMAC / NEMA 4-4x-12 / IP-65 Single Door Enclosures



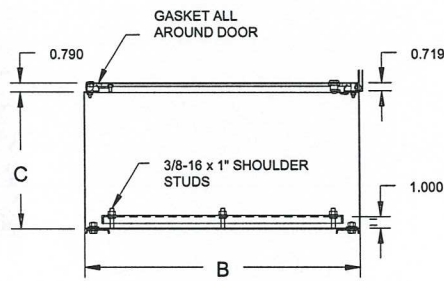
Front View



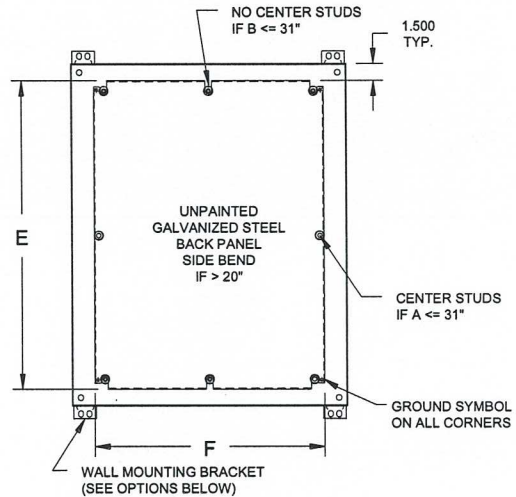
Side View



Standard  
1/4 Turn Latch  
A14KR

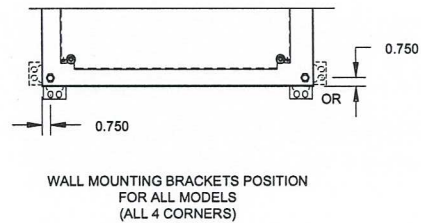
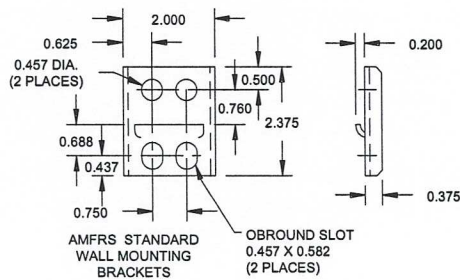


Section A-A



Section B-B

A	HINGES	LOCKS
0	2	1
24	2	2
36	3	2
42	3	3
60	4	3







## Accessories

## Spare Inner Panels For S and R Enclosures

### TECHNICAL READOUT

Catalog No.	Box Size		Panel Size		Weight lbs.
	Height	Width	Height	Width	
ASP0604	6	x 4	4.875	x 2.875	0.5
ASP0606	6	x 6	4.875	x 4.875	0.75
ASP0806	8	x 6	6.875	x 4.875	1
ASP0808	8	x 8	6.875	x 6.875	1.25
ASP1008	10	x 8	8.875	x 6.875	1.5
ASP1010	10	x 10	8.875	x 8.875	2
ASP1210	12	x 10	10.875	x 8.875	2.25
ASP1212	12	x 12	10.875	x 10.875	2.75
ASP1412	14	x 12	12.875	x 10.875	3.25
ASP1614	16	x 14	14.875	x 12.875	4.25
ASP2012	20	x 12	18.875	x 10.875	4
ASP2016	20	x 16	18.875	x 14.875	5
ASP2412	24	x 12	22.875	x 10.875	5
ASP2416	24	x 16	22.875	x 14.875	6
ASP2420	24	x 20	22.875	x 18.875	8

### ASP SERIES

Spare inner panels for all S enclosures

- Made from 14 gauge galvanized steel.
- Natural finish (unpainted)
- All panels have four mounting holes
- Ground symbols and holes

### TECHNICAL READOUT

Catalog No.	Box Size		Panel Size		Weight lbs.
	Height	Width	Height	Width	
ARP1612	16	x 12	13	x 9	3.75
ARP1616	16	x 16	13	x 13	5.25
ARP2012	20	x 12	17	x 9	4.75
ARP2016	20	x 16	17	x 13	6.75
ARP2020	20	x 20	17	x 17	10
ARP2412	24	x 12	21	x 9	6.5
ARP2416	24	x 16	21	x 13	9
ARP2420	24	x 20	21	x 17	12
ARP2424	24	x 24	21	x 21	15
ARP3012	30	x 12	27	x 9	9
ARP3016	30	x 16	27	x 13	12
ARP3020	30	x 20	27	x 17	16
ARP3024	30	x 24	27	x 21	18
ARP3030	30	x 30	27	x 27	24
ARP3624	36	x 24	33	x 21	23
ARP3630	36	x 30	33	x 27	28
ARP3636	36	x 36	33	x 33	34
ARP4224	42	x 24	39	x 21	27
ARP4230	42	x 30	39	x 27	35
ARP4236	42	x 36	39	x 33	42
ARP4824	48	x 24	45	x 21	31
ARP4830	48	x 30	45	x 27	41
ARP4836	48	x 36	45	x 33	49
ARP6036	60	x 36	57	x 33	60
ARP7230	72	x 30	69	x 27	61
ARP7236	72	x 36	69	x 33	74

### ARP SERIES

Spare inner panels for all R enclosures

- Made from 14 and 12 gauge galvanized steel.
- Natural finish (unpainted)
- All panels have 4 or 6 or 8 mounting holes all depend of the size
- Ground symbols and holes

