



# FB and FT Series

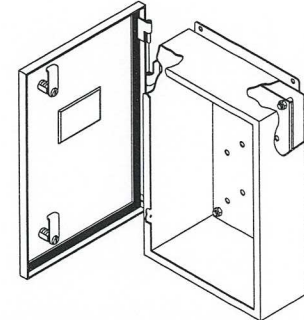
# EEMAC / NEMA 4, 12 Splitter Troughs and Boxes

### TECHNICAL READOUT

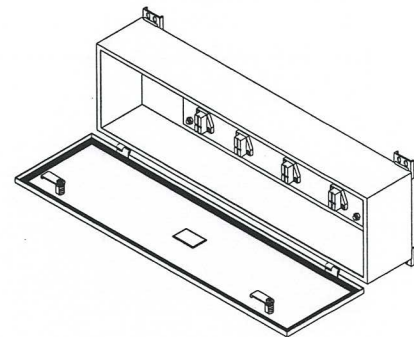
Catalog No.		Grounding Kit (Optional)	Enclosure			Amps	Weight lbs.
3 wires	4wires		A	B	C		
FT273	FT274	TGR200	24	6	5	70	17
FT373	FT374	TGR200	36	6	5	70	23
FT473	FT474	TGR200	48	6	5	70	28
FT2103	FT2104	TGR200	24	6	5	125	17
FT3103	FT3104	TGR200	36	6	5	125	23
FT4103	FT4104	TGR200	48	6	5	125	28
FT6103	FT6104	TGR200	72	10	6	125	75
FT2203		TGR200	24	8	5	225	21
FT3203	FT3204	TGR200	36	10	6	225	43
FT4203	FT4204	TGR200	48	10	6	225	55
FT5203	FT5204	TGR200	60	10	6	225	64
FT6203	FT6204	TGR200	72	10	6	225	75
FT3403		TGR400	36	10	6	400	43
FT4403	FT4404	TGR400	48	10	6	400	55
FT5403	FT5404	TGR400	60	10	6	400	64
FT6403	FT6404	TGR400	72	10	6	400	75
FT4603	FT4604	TGR600	48	10	6	600	55
FT5603	FT5604	TGR600	60	10	6	600	64
FT6603	FT6604	TGR600	72	10	6	600	75

### Splitter Boxes

FB73	FB74	BGR200	12	10	5	70	11
FB103	FB104	BGR200	12	10	5	125	11
FB203	FB204	BGR200	18	12	5	225	23
FB403	FB404	BGR400	24	17	6	400	47
FB603	FB604	BGR600	30	24	7	600	37



INSIDE BLOCKS NOT SHOWN



### Application:

Type 4,12 enclosure designed for indoor/outdoor distribution (600V maximum, Cu-Al).

### Construction:

- 16 gauge steel
- Factory installed splitter blocks on 14 gauge mounting panel
- Gasketed cover secured with 1/4 turn latches
- Continuously welded & ground smooth seams
- ANSI/ASA61 grey polyester textured powder coating inside out

### Also Available:

- Grounding kit
- Aluminium, SS, galvanized steel
- Special finishes & sizes

### Standards:

- CSA certified 150359

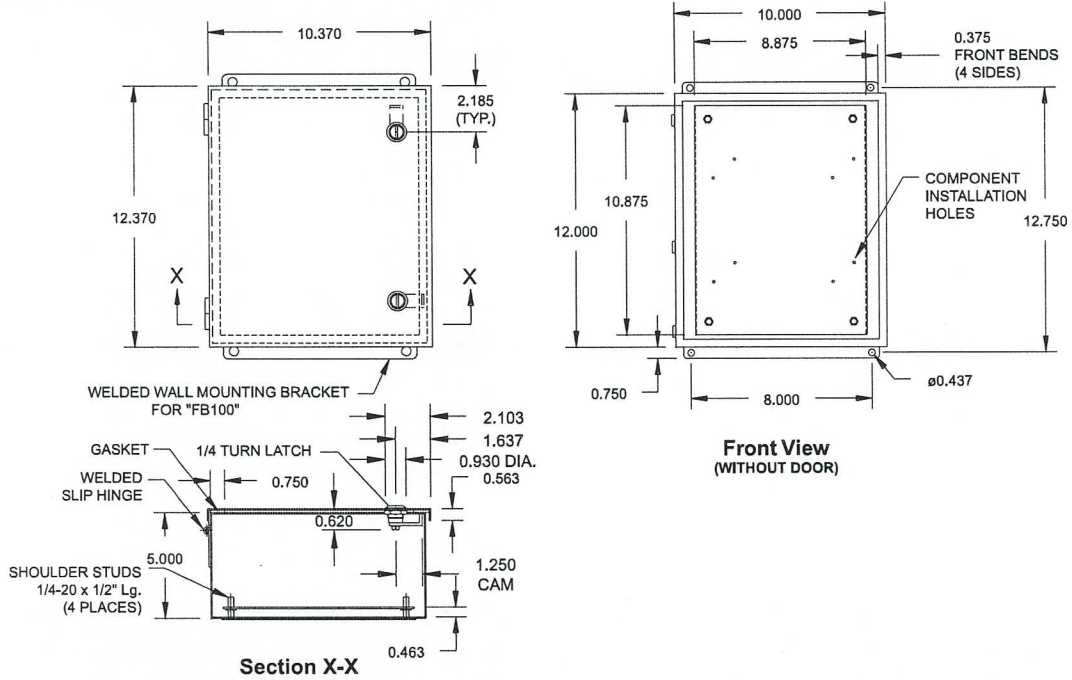




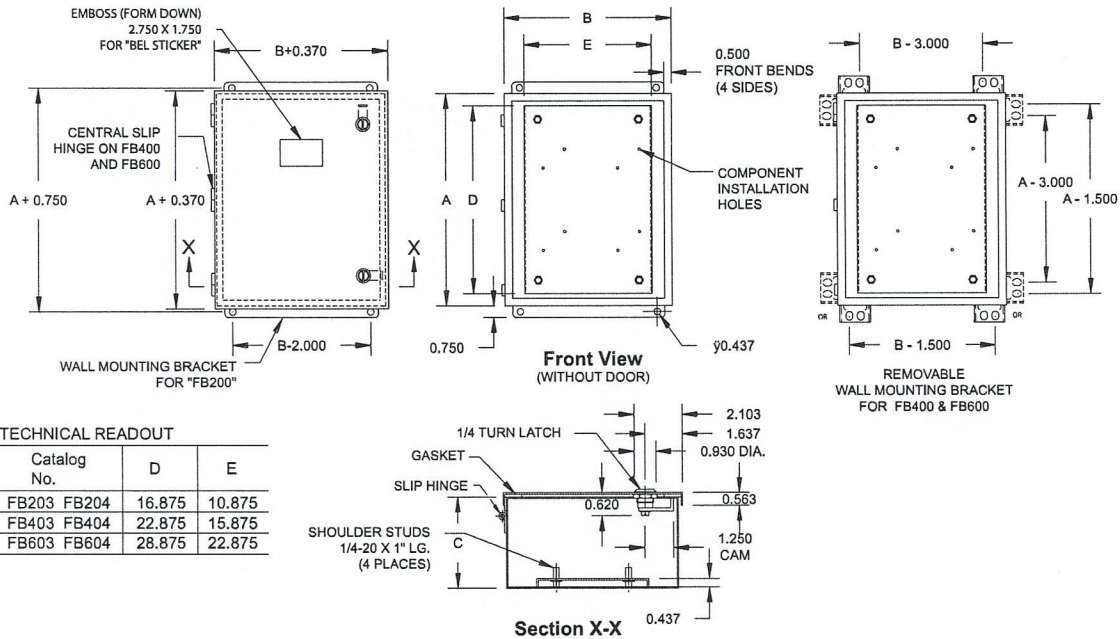
# FB Series

# EEMAC / NEMA 4,12 Splitter and Boxes

## Model FB70 and FB100



## Model FB200, FB400 and FB600



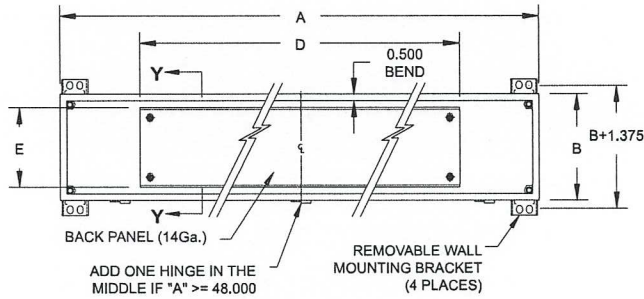
**TECHNICAL READOUT**

Catalog No.	D	E
FB203 FB204	16.875	10.875
FB403 FB404	22.875	15.875
FB603 FB604	28.875	22.875

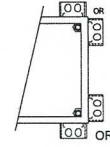


# FT Series

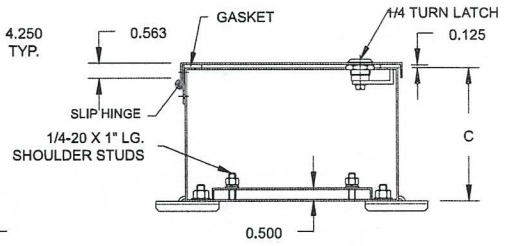
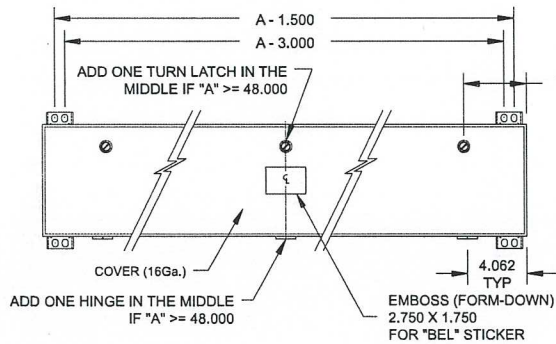
# EEMAC / NEMA 4, 12 Splitter Troughs



**Front View**  
(WITHOUT DOOR)



**REMOVABLE WALL MOUNTING BRACKET**



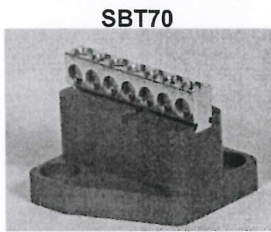
**Section Y-Y**

Catalog No.	A	B	C	D	E
FT270 & FT2100	24	6	5	18	4
FT370 & FT3100	36	6	5	20.75	4
FT470 & FT4100	48	6	5	25.625	4
FT2200	24	8	5	18	6
FT3200 & FT3400	36	10	6	24	8
FT4200	48	10	6	36	8
FT4400	48	10	6	36	8
FT4600	48	10	6	36	8
FT5200	60	10	6	35.375	8
FT5400	60	10	6	35.375	8
FT5600	60	10	6	35.375	8
FT6100	72	10	6	35.375	8
FT6200	72	10	6	35.375	8
FT6400	72	10	6	35.375	8
FT6600	72	10	6	35.375	8

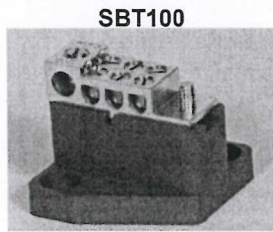


# BEL SBT & SBB Series

## Splitter Blocks



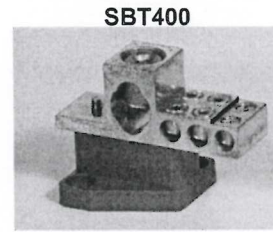
SBT70



SBT100



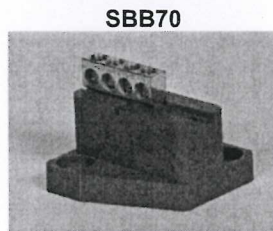
SBT200



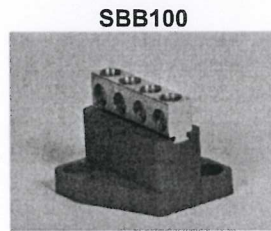
SBT400



SBT600



SBB70



SBB100



SBB200



SBB400



SBB600

### TECHNICAL READOUT

Catalog No.	Ampacity Main Lug	Max./Min. Wire Capacity	Ampacity Branch Lugs	Max./Min. Wire Capacity	Weight lbs.
SBT70	70	2-14	6/35	6 X (6-14)	.75
SBT100	125	1/0-14	6/70	6 X (2-14)	.75
SBT200	225	300*-6	6/125	6 X (2/0-14)	1
SBT400	400	600*-4 or 2 X (250*-1/0)	2/125, 4/200	2 X (3/0-14) 4 X (4/0-6)	2
SBT600	600	2 X (600*-2)	2/125, 4/200	2 X (3/0-14) 4 X (4/0-14)	3

### SBB (Splitter Blocks for Boxes)

SBB70	70	2-14	3/35	3 X (6-14)	0.5
SBB100	125	2/0-14	3/70	3 X (2/0-14)	.75
SBB200	225	300*-6	3/125	3 X (2/0-14)	1
SBB400	400	2 X (250*-1/0)	2/225	2 X (300*-6)	2
SBB600	600	2 X (600*-2)	2/400	2 X (600*-4)	3

\* KCM

### Application:

These blocks are used in our standard splitters. They can be used for tapping branch circuits off feeders. All blocks are rated 600 V.

### Construction:

- Cu-Al monopiece connectors secured to noryl insulators
- Some connectors used in the standard splitter boxes are secured to an aluminum plate (Cu-Al)
- Each block includes a main lug and branch lugs

### On special Order:

- Copper connectors (Cu)
- Copper bars (Cu)

### Standards:

- CSA certified 150359

