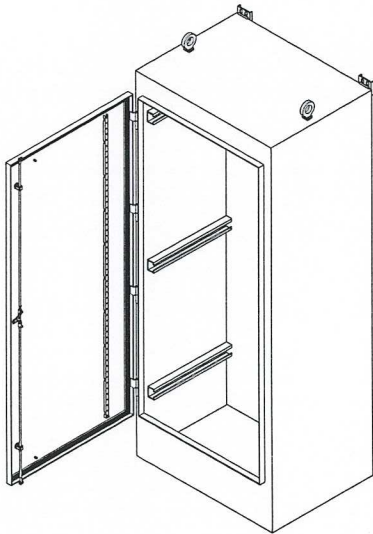




FRS Series

EEMAC / NEMA 12 Single Door Freestanding Enclosures, Single Access



TECHNICAL READOUT

Catalog No.	A	B	C	F	G	Weight lbs
FRS602418	60	24	18	32.031	23.125	210
FRS722418	72	24	18	38.031	29.125	250
FRS723018	72	30	18	38.031	29.125	300
FRS723618	72	36	18	38.031	29.125	330
FRS902420	90	24	20	47.031	38.125	285
FRS903620	90	36	20	47.031	38.125	405
FRS603624	60	36	24	32.031	23.125	290
FRS722424	72	24	24	38.031	29.125	300
FRS723024	72	30	24	38.031	29.125	340
FRS723624	72	36	24	38.031	29.125	375
FRS903624	90	36	24	47.031	38.125	445
FRS722430	72	24	30	38.031	29.125	358
FRS723630	72	36	30	38.031	29.125	420
FRS722436	72	24	36	38.031	29.125	400
FRS723636	72	36	36	38.031	29.125	470
FRS903636	90	36	36	47.031	38.125	530

Application:

Type 12 enclosure designed for INDOOR protection of electrical and electronic controls, instruments and components.

Construction:

- 12 gauge steel
- Continuously welded and ground smooth seams
- 2 or 4 lifting eye bolts
- Slip hinges enabling door removal for easier access and mounting
- Three point lock flush handle
- Galvanized mounting rail
- Grounding studs welded on inner cover surface and inside enclosure
- Horizontally welded channels on both sides for panel adjustment
- Possibility of half length (AFH model), full length (AFF model) or side mounting panel galvanized
- Self-adhesive polymer BEL data pocket
- ANSI/ASA61 grey polyester textured powder coating inside out

Also Available:

- Double door (add suffix FRSD)
- Dual access door (add suffix DA)
- Cutouts, louvers, hubs and windows
- Specific mounting panel adjustments
- Special finishes

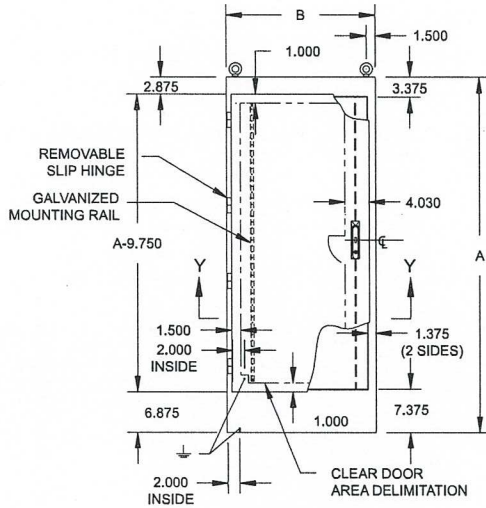
Standards:

- CSA certified 150359
- UL listed E109310

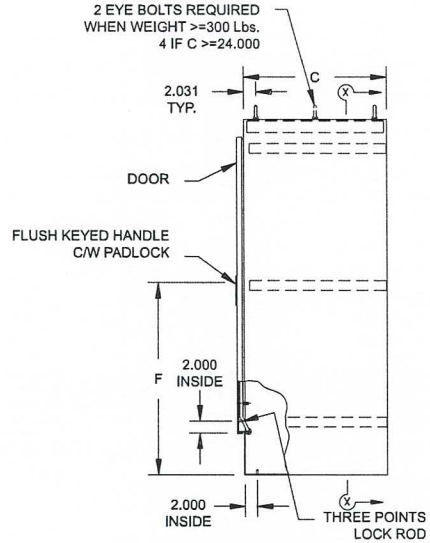




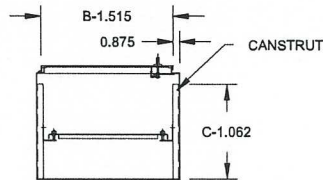
EEMAC / NEMA 12 Single Door Freestanding Enclosures, Single Access



Front View



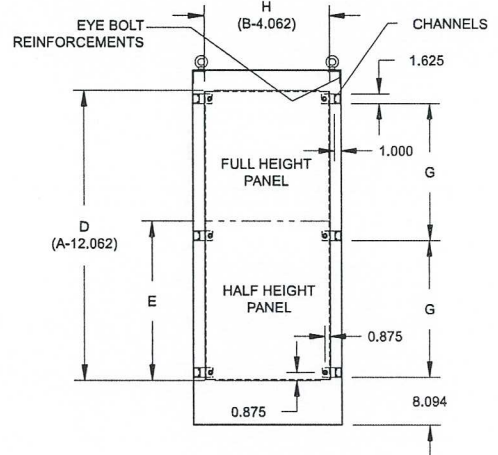
Side View



Section Y-Y

NOTE:
HALF PANEL FITS IN TOP HALF
OR BOTTOM HALF OF ENCLOSURE
(SHOWN IN BOTTOM HALF)

FOR "D, E & H" DIMENSIONS
SEE ACCESSORIES
SERIES "AFF & AFH"



Section X-X





Accessories

Panels For HD and FRS Enclosures

TECHNICAL READOUT

Catalog No.	Box Size		Panel Size		Weight lbs.
	Height	Width	Height	Width	
AHDP2442	24	x 42	20	x 38	26
AHDP3042	30	x 42	26	x 38	36
AHDP3648	36	x 48	32	x 44	50
AHDP4848	48	x 48	44	x 44	58
AHDP5442	54	x 42	50	x 38	80
AHDP6048	60	x 48	56	x 44	103
AHDP6060	60	x 60	56	x 56	130
AHDP7260	72	x 60	68	x 56	157
AHDP7272	72	x 72	68	x 68	192

TECHNICAL READOUT

Catalog No.	Description	Cabinet Size		Panel Size		Weight lbs.
		Height	Width	Height	Width	
AFH6024	half height	60	x 24	24.875x	20	15.6
AFF6024	full height	60	x 24	48	x 20	29.9
AFH7224	half height	72	x 24	30.875x	20	19.3
AFF7224	full height	72	x 24	60	x 20	37.4
AFH9024	half height	90	x 24	39.875x	20	24.9
AFF9024	full height	90	x 24	78	x 20	48.5
AFH7230	half height	72	x 30	30.875x	26	25.0
AFF7230	full height	72	x 30	60	x 26	48.3
AFH6036	half height	60	x 36	24.875x	32	24.8
AFF6036	full height	60	x 36	48	x 32	47.5
AFH7236	half height	72	x 36	30.875x	32	30.7
AFF7236	full height	72	x 36	60	x 32	59.2
AFH9036	half height	90	x 36	39.875x	32	30.7
AFF9036	full height	90	x 36	78	x 32	76.9

TECHNICAL READOUT

Catalog No.	Cabinet Height	Panel Size		Weight lbs
		Height	Width	
AFFSP6024	60	48	x 14	21
AFFSP6036	60	48	x 26	38
AFFSP7224	72	60	x 14	26
AFFSP7230	72	60	x 20	36
AFFSP7236	72	60	x 26	47
AFFSP9024	90	78	x 14	33
AFFSP9036	90	78	x 26	61

AHDP SERIES

Application:

Spare inner panels for all HD double door enclosures

Construction:

- Made from 12 gauge Galvanized steel unpainted
- Ground symbols and holes. (AHDP7272 will be 12 gauge steel painted white polyester powder coating)

AFF & AFH SERIES

Application:

Spare inner panels for FRS series, single door enclosures

Construction:

- Made from 12 gauge Galvanized steel unpainted
- Ground symbols and holes.

AFFSP SERIES

Application:

Side mounted panels for FRS series, single door enclosures

Construction:

- Made from 12 gauge Galvanized steel unpainted
- Ground symbols and holes
- Flat construction.

