

TECHNICAL READOUT

Catalog No. Splitter troughs		Grounding Kit (Optional)	Dimensions			Amps	Weight lbs.
3 wires	4 wires		A	B	C		
FT2103SS	FT2104SS	TGR200	24	6	5	125	17
FT2203SS		TGR200	24	8	5	225	21
FT3103SS	FT3104SS	TGR200	36	6	5	125	23
FT3203SS	FT3204SS	TGR200	36	10	6	225	43
FT4103SS	FT4104SS	TGR200	48	6	5	125	28
FT4203SS	FT4204SS	TGR200	48	10	6	225	55
FT6403SS	FT6404SS	TGR400	72	10	6	400	75

Splitter Boxes

FB103SS	FB104SS	BGR200	12	10	5	125	11
FB203SS	FB204SS	BGR200	18	12	5	225	23

Application:

Type 4x, enclosure designed for indoor/outdoor distribution (600V maximum, Cu-Al).

Construction:

- 16 gauge 304-4 stainless steel, natural finish
- Factory installed splitter blocks on 14 gauge mounting panel
- Seamless poured in place gasketed cover secured with 304-4 stainless steel 1/4 turn latches
- Continuously welded & ground smooth seams
- Available empty

Also Available:

- Grounding kit
- 316 stainless steel, steel and aluminium

Standards:

- CSA certified 150359



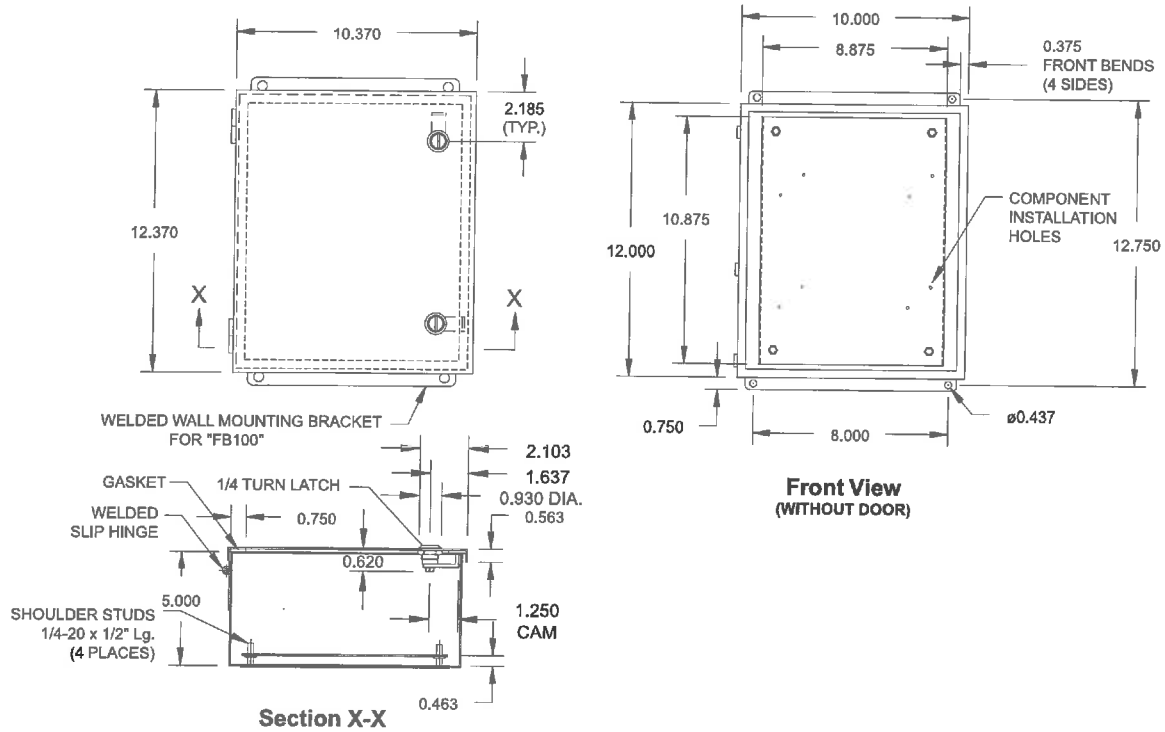


FB Series

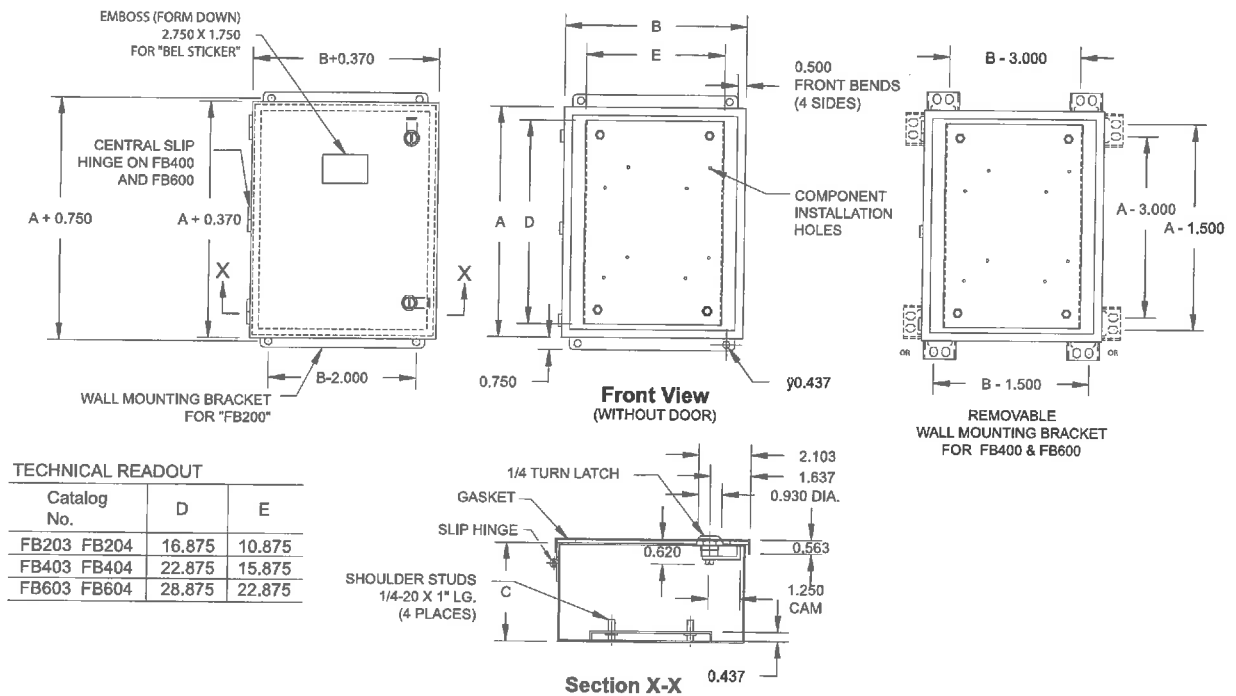
EEMAC / NEMA 4,12 Splitter and Boxes



Model FB70 and FB100



Model FB200, FB400 and FB600



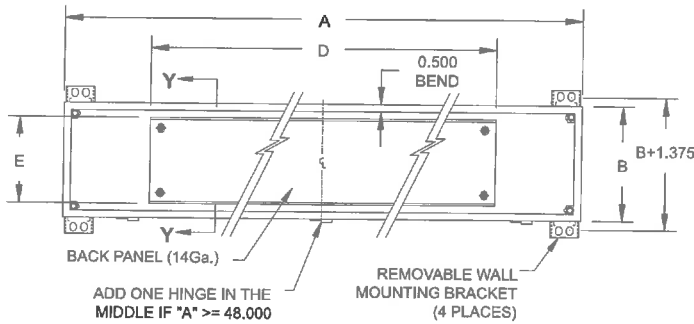
TECHNICAL READOUT

Catalog No.	D	E
FB203 FB204	16.875	10.875
FB403 FB404	22.875	15.875
FB603 FB604	28.875	22.875

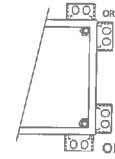


FT Series

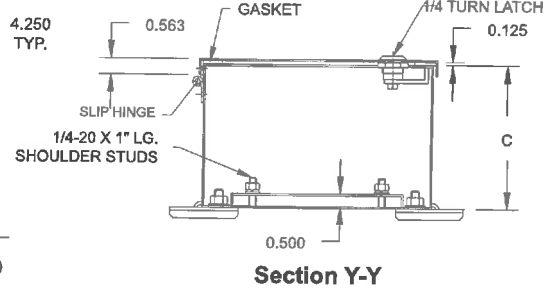
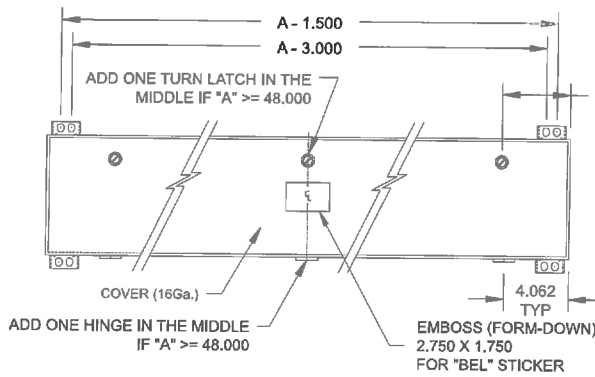
EEMAC / NEMA 4, 12 Splitter Troughs



Front View
(WITHOUT DOOR)



REMOVABLE WALL MOUNTING BRACKET



Catalog No.	A	B	C	D	E
FT270 & FT2100	24	6	5	18	4
FT370 & FT3100	36	6	5	20.75	4
FT470 & FT4100	48	6	5	25.625	4
FT2200	24	8	5	18	6
FT3200 & FT3400	36	10	6	24	8
FT4200	48	10	6	36	8
FT4400	48	10	6	36	8
FT4600	48	10	6	36	8
FT5200	60	10	6	35.375	8
FT5400	60	10	6	35.375	8
FT5600	60	10	6	35.375	8
FT6100	72	10	6	35.375	8
FT6200	72	10	6	35.375	8
FT6400	72	10	6	35.375	8
FT6600	72	10	6	35.375	8



SBT & SBB Series

Splitter Blocks



SBT70



SBT100



SBT200



SBT400



SBT600



SBB70



SBB100



SBB200



SBB400



SBB600



TECHNICAL READOUT

Catalog No.	Ampacity Main Lug	Max./Min. Wire Capacity	Ampacity Branch Lugs	Max./Min. Wire Capacity	Weight lbs.
SBT70	70	2-14	6/35	6 X (6-14)	.75
SBT100	125	1/0-14	6/70	6 X (2-14)	.75
SBT200	225	300*-6	6/125	6 X (2/0-14)	1
SBT400	400	600*-4 or 2 X (250*-1/0)	2/200, 4/230	2 X (3/0-14) 4 X (4/0-14)	2
SBT600	600	2 X (600*-2)	2/200, 4/230	2 X (3/0-14) 4 X (4/0-14)	3

SBB (Splitter Blocks for Boxes)

SBB70	70	2-14	3/35	3 X (6-14)	0.5
SBB100	125	2/0-14	3/70	3 X (2/0-14)	.75
SBB200	225	300*-6	3/125	3 X (2/0-14)	1
SBB400	400	2 X (250*-1/0)	2/225	2 X (300*-6)	2
SBB600	600	2 X (600*-2)	2/400	2 X (600*-4)	3

* KCM

Application:

These blocks are used in our standard splitters. They can be used for tapping branch circuits off feeders. All blocks are rated 600 V.

Construction:

- Cu-Al monopiece connectors secured to noryl insulators
- Some connectors used in the standard splitter boxes are secured to an aluminum plate (Cu-Al)
- Each block includes a main lug and branch lugs
- Can be installed in splitter troughs & boxes

On special Order:

- Copper connectors (Cu)
- Copper bars (Cu)

Standards:

- CSA certified 150359

