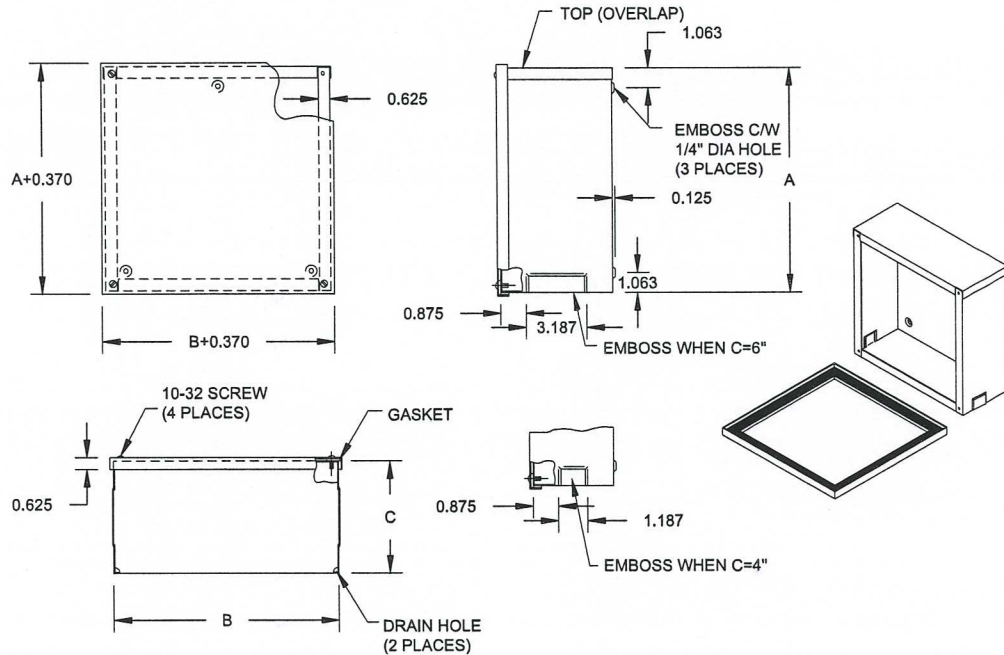




DWPF Series

EEMAC / NEMA 3R Screw Cover Gasketed Boxes



TECHNICAL READOUT

Catalog No.	Dimensions (box)			Weight lbs
	A	B	C	
DWPF664	6	6	4	3.5
DWPF884	8	8	4	5
DWPF886	8	8	6	6
DWPF10104	10	10	4	7
DWPF10106	10	10	6	8
DWPF12124	12	12	4	9
DWPF12126	12	12	6	10
DWPF16166	16	16	6	16
DWPF18186	18	18	6	20
DWPF24246	24	24	6	31.5

Application:

Type 3R weatherproof enclosure generally used as a junction or pull box.

Construction:

- 16 gauge steel,
- Mounting holes on back for vertical installation only
- Grounding emboss & grounding screw
- ANSI/ASA61 grey polyester textured powder coating inside out
- Gasketed cover held in place with screws
- 2 drain holes

Also Available:

- Aluminium, SS, galvanized steel
- Cutouts, louvers and hubs
- Special finishes & sizes

Standards:

- CSA certified 150359
- UL listed E109310

