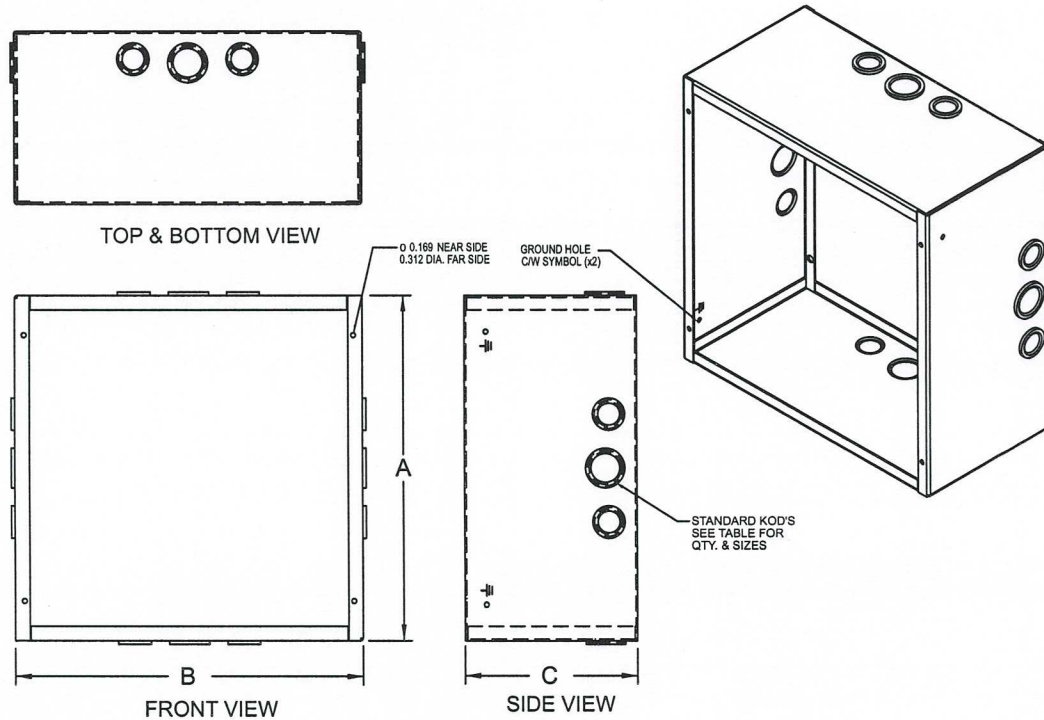


BEL DUKO-RING Series



TECHNICAL READOUT

Catalog No.	Dimensions Ring			Knockouts Sides	Knockouts Top & bottom	Weight lbs.
	A	B	C			
DUKO664-RING	6	6	4	2a, 1b	2a	3
DUKO884-RING	8	8	4	2a, 1b	2a, 1b	3
DUKO10104-RING	10	10	4	2a, 1b	2a, 1b	4
DUKO12124-RING	12	12	4	2a, 1b	2a, 1b	4
DUKO12126-RING	12	12	6	2a, 1b	2a, 1b	5
DUKO16166-RING	16	16	6	2a, 3b	2a, 3b	6

Knockouts (Conduit Size): a = 1/2" - 3/4" • b = 3/4" - 1"

Cover sold separately

Description:

Extension for screw cover box and/or concrete direct burial junction box

Application:

When install on top of an existing box, the extension will increase the usable connection space and/or when used in combination with a cover, could be installed on each side of the formwork during concrete work. Corrosion free box (polyester powder paint). Complete with grounding screws.