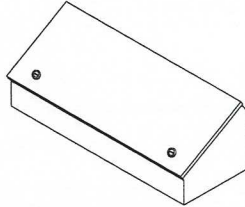
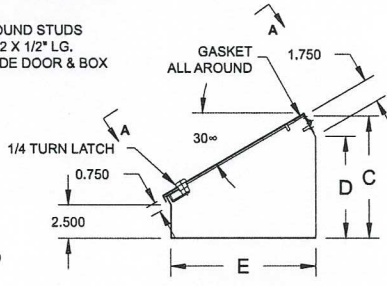
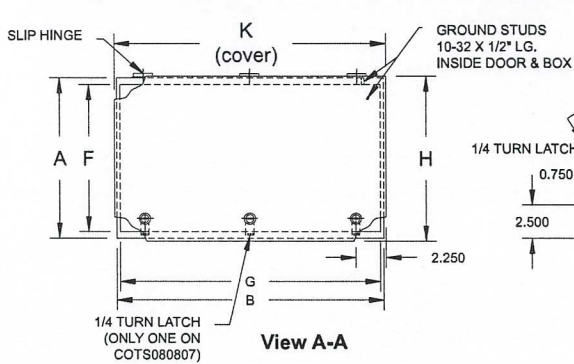




# COTS Series

## EEMAC / NEMA 12 Hinged Lift-Off Cover Consoles



Section B-B

**Application:**

Type 12 enclosure designed to protect electrical/electronic controls against dust, oil and coolants.

**Construction:**

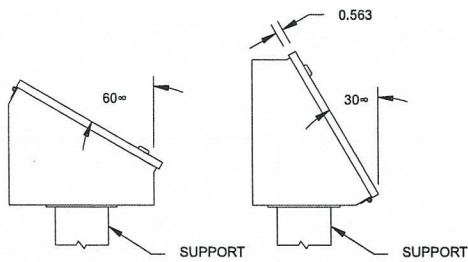
- 16 gauge steel
- Welded and ground smooth seams
- Oil resistant gasket
- Removable cover secured by 1/4 turn latches
- ANSI/ASA61 grey polyester textured powder coating inside out

**Also Available:**

- Special cutouts, holes and finishes

**Standards:**

- CSA certified 150359
- UL listed E109310



Mounting Options

**TECHNICAL READOUT**

Catalogue No.	Dimensions									Qty. Locks	Qty. Hinges	Weight lbs.
	A	B	C	D	E	F	G	H	K			
COTS080807	8	8	7.151	5.635	7.427	7.000	7.500	8.335	8.314	1	2	9
COTS081207	8	12	7.151	5.635	7.427	7.000	11.500	8.335	12.314	2	2	11
COTS081607	8	16	7.151	5.635	7.427	7.000	15.500	8.335	16.314	2	2	13
COTS082007	8	20	7.151	5.635	7.427	7.000	19.500	8.335	20.314	2	2	15
COTS121209	12	12	9.151	7.635	10.891	11.000	11.500	12.335	12.314	2	2	16
COTS121609	12	16	9.151	7.635	10.891	11.000	15.500	12.335	16.314	2	2	19
COTS122009	12	20	9.151	7.635	10.891	11.000	19.500	12.335	20.314	2	2	24
COTS122409	12	24	9.151	7.635	10.891	11.000	23.500	12.335	24.314	2	2	26
COTS161611	16	16	11.151	9.635	14.355	15.000	15.500	16.335	16.314	2	2	26
COTS162011	16	20	11.151	9.635	14.355	15.000	19.500	16.335	20.314	2	2	30
COTS162411	16	24	11.151	9.635	14.355	15.000	23.500	16.335	24.314	2	2	39
COTS163011	16	30	11.151	9.635	14.355	15.000	29.500	16.335	30.314	2	2	45
COTS163611	16	36	11.151	9.635	14.355	15.000	35.500	16.335	36.314	2	3	44
COTS202013	20	20	13.151	11.635	17.820	19.000	19.500	20.335	20.314	2	2	37
COTS202413	20	24	13.151	11.635	17.820	19.000	23.500	20.335	24.314	2	2	44
COTS203013	20	30	13.151	11.635	17.820	19.000	29.500	20.335	30.314	2	2	47

