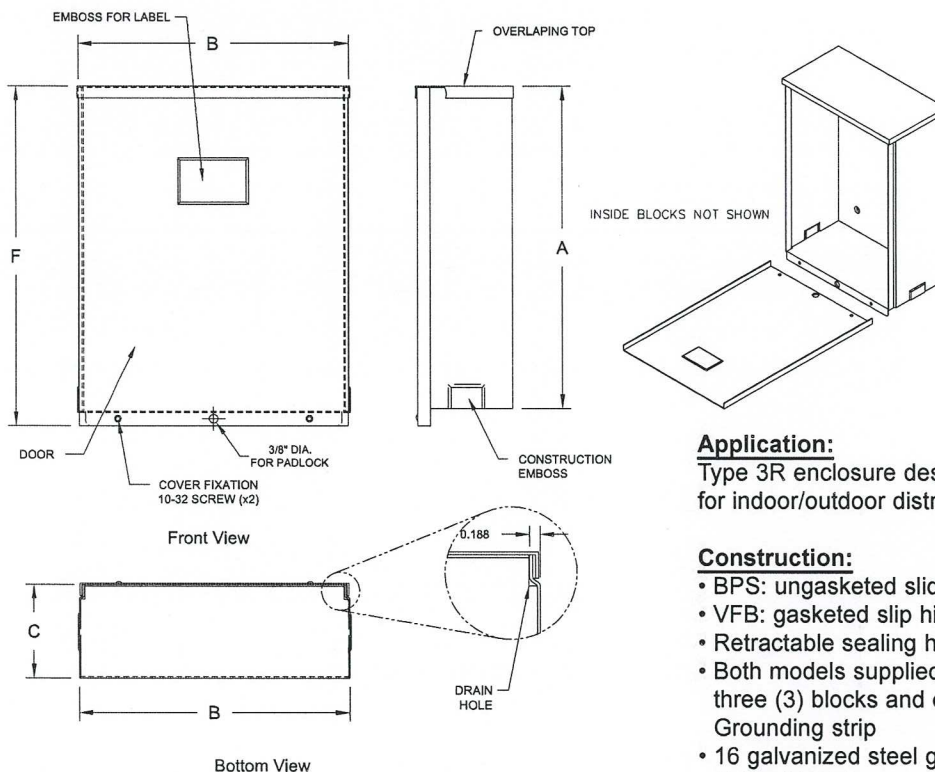


BEL BPS and VFB Series

EEMAC / NEMA 3R Splitter Boxes



Application:
Type 3R enclosure designed for indoor/outdoor distribution.

- Construction:**
- BPS: ungasketed sliding cover
 - VFB: gasketed slip hinged cover
 - Retractable sealing hasp
 - Both models supplied with three (3) blocks and one (1) Grounding strip
 - 16 galvanized steel gauge Natural Finish

- Also Available:**
- Cutouts, louvers and hubs
 - Aluminium, SS, galvanized steel
 - Special finishes & sizes

- Standards:**
- CSA certified 150359

TECHNICAL READOUT

Catalog No.	Capacity Per Block	Ground Strip	Size			
			A	B	C	D
BPS100	1-1/0 to 14 6-2 to 14	3 x (4-14)	14"	8 7/8"	4"	14 9/16"
BPS200	1-300 MCM 6-2/0 to 14	3 x (4-14)	14"	11 1/2"	4"	14 9/16"
BPS200LG	1-300 MCM 6-2/0 to 14	3 x (4-14)	18 5/6"	11"	5 1/2"	19 1/16"
BPS400LG	1x 600-4 or 2x (250-1/0) 2x 3/0-14 and 4x 4/0-6	3 x (4-14)	19 5/16"	20"	6"	20 1/16"

