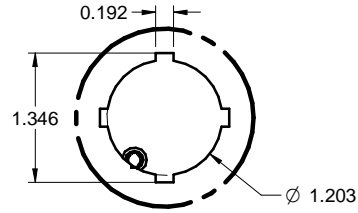
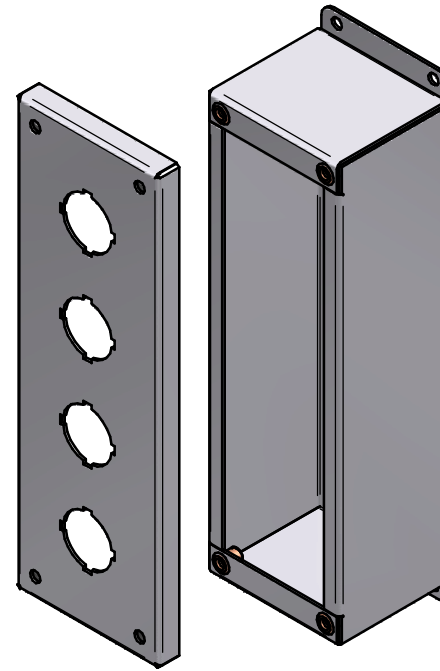


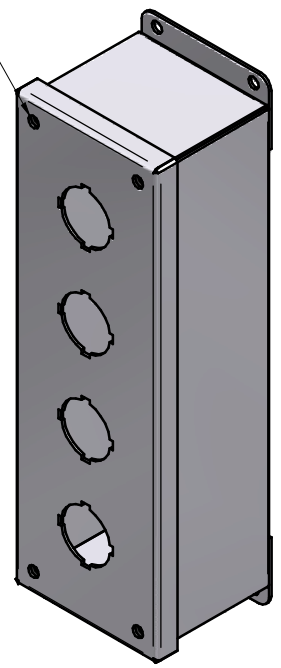
TOP / DESSUS



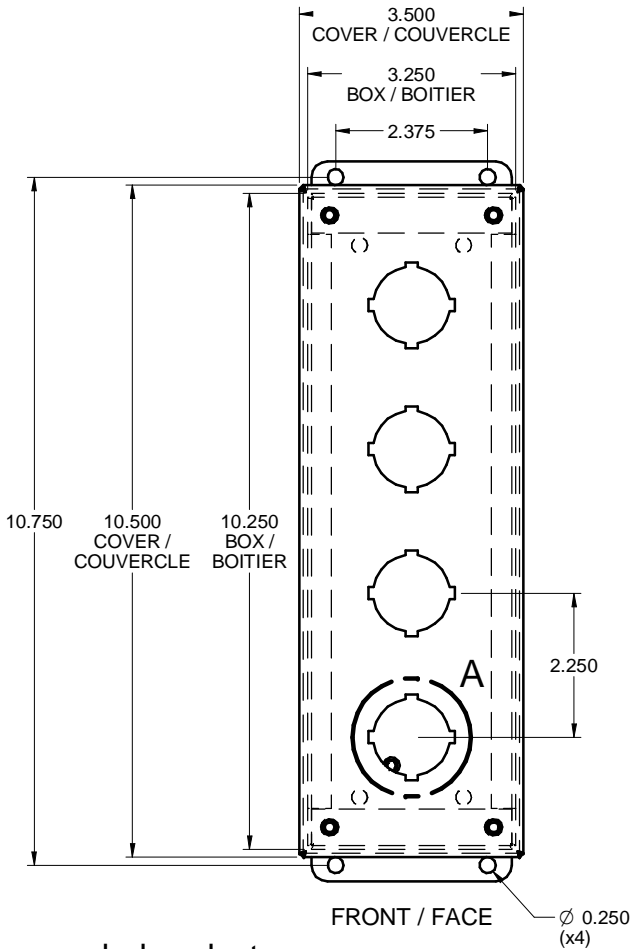
DETAIL A



CAPTIVE SCREW /
VIS CAPTIVES (x4)

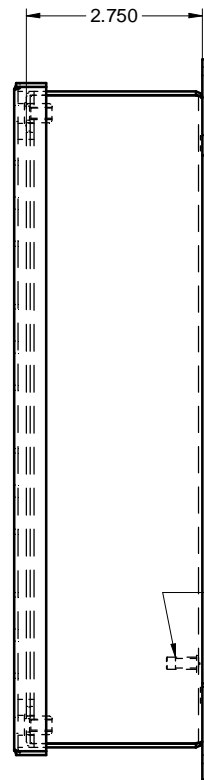


4PB
STEEL / ACIER



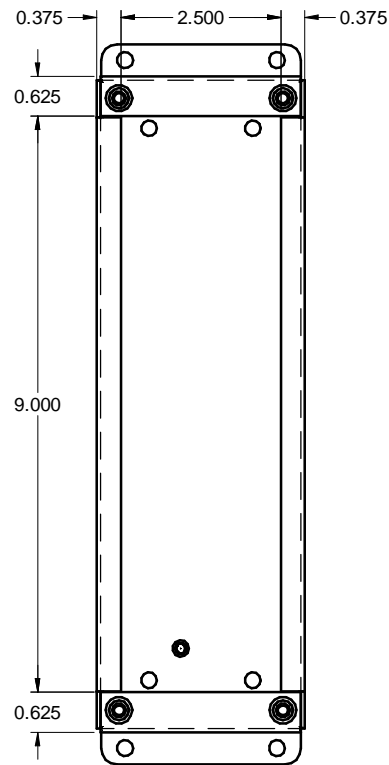
FRONT / FACE

Ø 0.250
(x4)

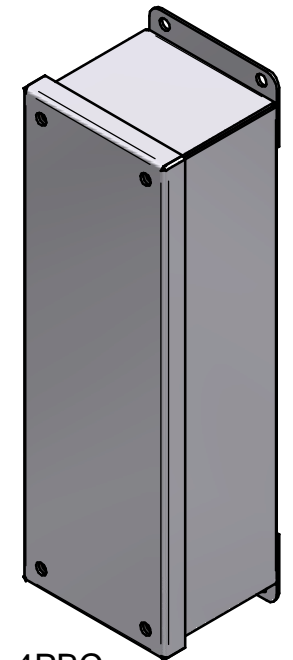


SIDE / CÔTÉ

GROUND STUD /
GOUJON MALT



FRONT without door /
FACE sans couvercle



4PBC
without holes / sans trous
STEEL / ACIER