

Application:
Type 3R enclosure designed for indoor/outdoor distribution.

- Construction:**
- BPS: ungasketed sliding cover
 - VFB: gasketed slip hinged cover
 - Retractable sealing hasp
 - Both models supplied with three (3) blocks and one (1) Grounding strip
 - 16 galvanized steel gauge Natural Finish

- Also Available:**
- Cutouts, louvers and hubs
 - Aluminium, SS, galvanized steel
 - Special finishes & sizes

Standards:

- CSA certified 150359

TECHNICAL READOUT

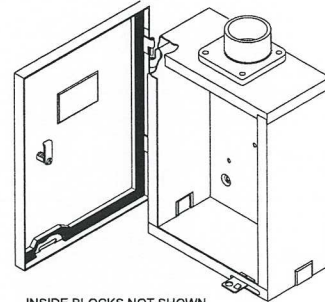
Catalog No.	Capacity Per Block	Ground Strip	Size			
			A	B	C	D
BPS100	1-1/0 to 14 6-2 to 14	3 x (4-14)	14"	8 7/8"	4"	14 9/16"
BPS200	1-300 MCM 6-2/0 to 14	3 x (4-14)	14"	11 1/2"	4"	14 9/16"
BPS200LG	1-300 MCM 6-2/0 to 14	3 x (4-14)	18 5/6"	11"	5 1/2"	19 1/16"
BPS400LG	1x 600-4 or 2x (250-1/0) 2x 3/0-14 and 4x 4/0-6	3 x (4-14)	19 5/16"	20"	6"	20 1/16"



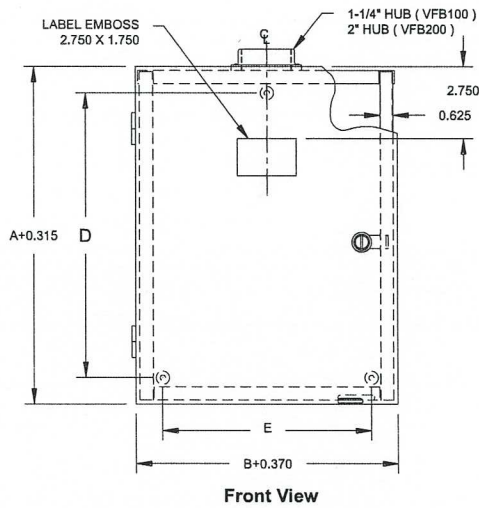


VFB Series

EEMAC / NEMA 3R Splitter Boxes

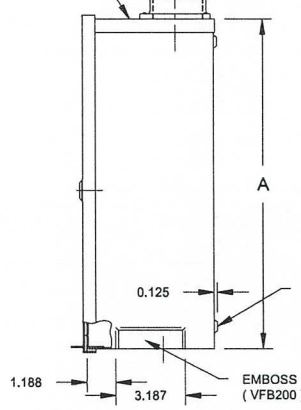


INSIDE BLOCKS NOT SHOWN

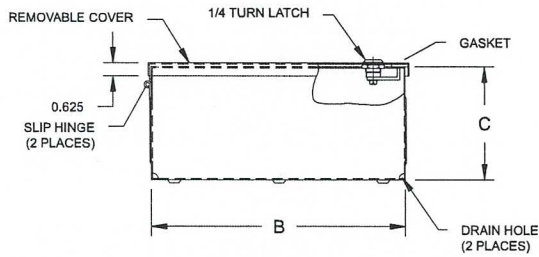
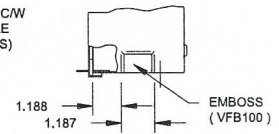


Front View

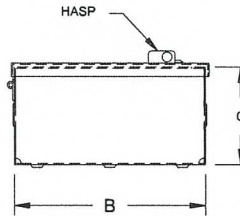
TOP (OVERLAP)



Side View



Bottom View
VFB200



Bottom View
VFB100

TECHNICAL READOUT

Catalog No.	Capacity Per Block	Ground Strip	Hub Top Entry	Size				
				A	B	C	D	E
VFB100	4-2/0 a 14	3 x (4-14)	1 1/4"	11 1/16"	8 3/32"	4 7/32"	8 7/16"	5 27/32"
VFB200	2-300 MCM 3-2/0 a 14	3 x (4-14)	2"	18"	11 7/8"	5 5/16"	13 7/8"	7 7/8"