

TECHNICAL READOUT

SINGLE DOOR				DOUBLE DOOR					
Catalog No.	Dimensions (box)			Wt. lbs.	Catalog No.	Dimensions (box)			Wt. lbs.
	A	B	C			A	B	C	
TC(x)12124	12	12	4	12	TC(x)30304	30	30	4	51
TC(x)18124	18	12	4	16	TC(x)36304	36	30	4	55
TC(x)24184	24	18	4	27	TC(x)36364	36	36	4	109
TC(x)24244	24	24	4	35	TC(x)48304	48	30	4	120
TC(x)30244	30	24	4	42	TC(x)48364	48	36	4	142
TC(x)36244	36	24	4	50	TC(x)48484	48	48	4	186
TC(x)12126	12	12	6	13	TC(x)30306	30	30	6	59
TC(x)18126	18	12	6	18	TC(x)36306	36	30	6	64
TC(x)24186	24	18	6	32	TC(x)36366	36	36	6	115
TC(x)24246	24	24	6	40	TC(x)48306	48	30	6	126
TC(x)30246	30	24	6	49	TC(x)48366	48	36	6	157
TC(x)36246	36	24	6	57	TC(x)48486	48	48	6	195
TC(x)12128	12	12	8	15	TC(x)30308	30	30	8	63
TC(x)18128	18	12	8	20	TC(x)36308	36	30	8	115
TC(x)24188	24	18	8	35	TC(x)36368	36	36	8	121
TC(x)24248	24	24	8	44	TC(x)48308	48	30	8	133
TC(x)30248	30	24	8	52	TC(x)48368	48	36	8	157
TC(x)36248	36	24	8	61	TC(x)48488	48	48	8	203

(x) Specify "S" for surface mounting or "F" for flush

Application:

Type 1 traditionally called "telephone cabinets", TCS and TCF enclosures are not limited to housing telephone equipment. They are often used in hospitals, schools and hotels to centralize switches and dimmers for instance, the plywood mounting panel eliminating electrical noise these devices tend to generate. They can also be used to hide a bulky piece of control equipment or simply as top of the line junction boxes, when esthetics come into play.

Construction:

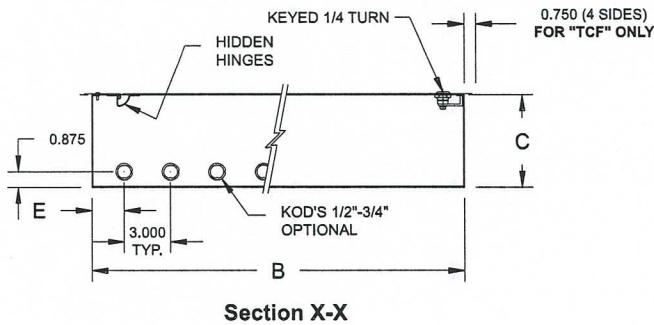
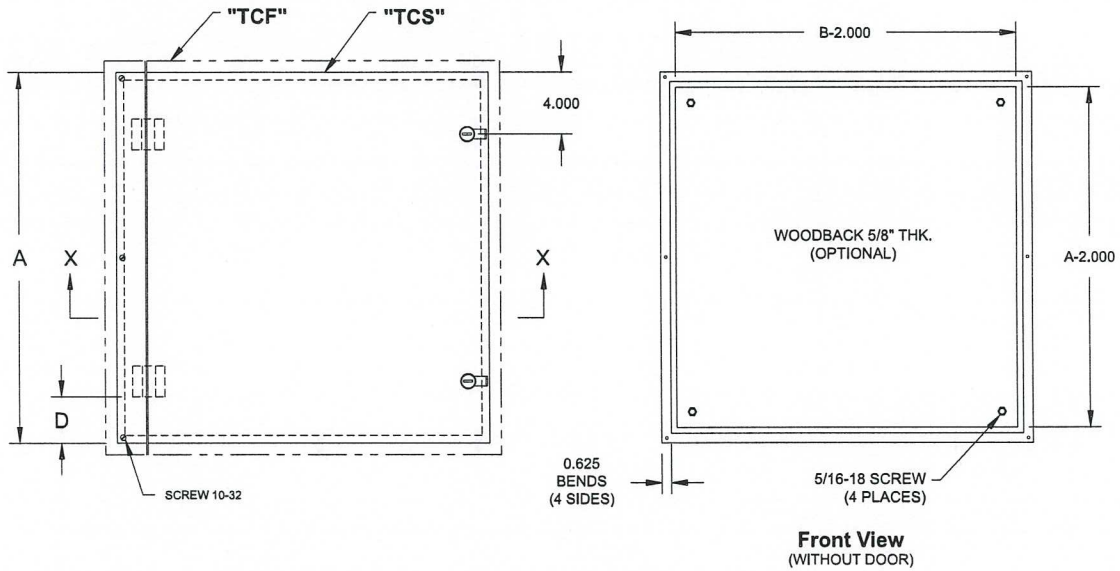
- 16 or 14 gauge steel, depending on enclosure size
- 14 gauge steel door(s)
- Single door on 24" wide and under enclosures models; double doors on greater than 24" wide models
- 3/4" lip all around on flush cover
- 1/4 turn lock provided with two (2) keys
- ANSI/ASA61 grey polyester textured powder coating inside out

Also Available:

- Grounding kit
- Cutouts, louvers and hubs
- Aluminium, SS, galvanized steel
- Special finishes & sizes
- TYPE 3R, 4X or 12

How To Order:

- Specify TCS for surface mounting
- Specify TCF for flush mounting
- Specify KO for Knockouts (1/2" - 3/4")
- Specify WB for wood back (TCFKO24246WB =24"x24"x6" Flush mounting cabinet complete with knockouts & wood back)



TECHNICAL READOUT

Height A	Qty. 1/4 Turn Keyed Latches	Qty. Hinges	D	K	A or B	E	Qty. 1/2" - 3/4" Knockouts (Optional)
12	1	2	1.750	3.313	12	3.000	3
18	1	2	2.688	3.000	18	3.000	5
24	2	2	3.094	3.000	24	6.000	5
30	2	3	3.094	3.000	30	6.000	7
36	3	3	3.094	3.000	36	6.000	9