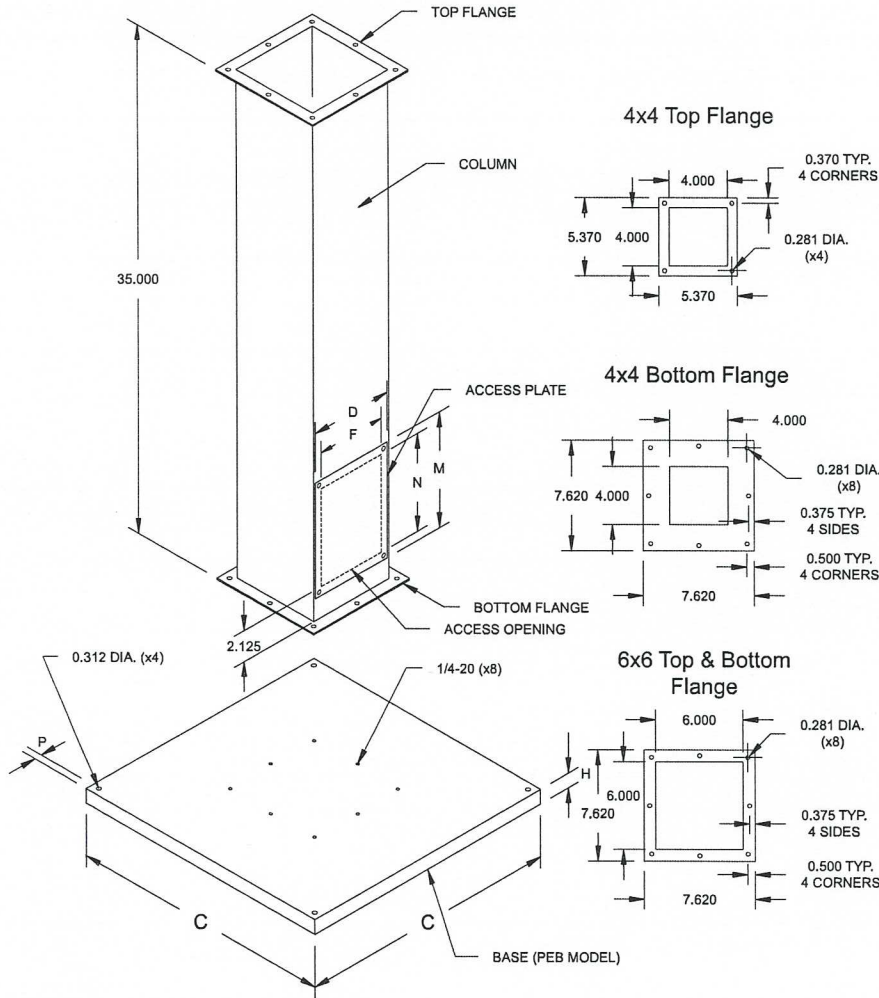




# PE Series

# EEMAC / NEMA 12 Floor Pedestal and Base



### Application:

Type 12 pedestal used to mount consoles and different types of enclosures. Wiring is pulled trough column and base.

### Construction:

- 14 gauge steel
- Welded and ground smooth seams
- 12 gauge steel flanges welded to column
- Each column supplied with a box connector fitting, two (2) gasketed flanges and screws
- Gasketed access plate
- Built to EEMAC/NEMA 12 requirements
- ANSI/ASA61 grey polyester textured powder coating
- BASE - PEB (ordered separately)
- 12 gauge steel
- Column mounting holes with levelling screws

### TECHNICAL READOUT

Catalog No.	Description	C	D	F	H	M	N	P	Weight lbs.
PESC040435	4 x 4 straight column	-	3.75	2.75	-	7.25	6.0	-	18
PESC060635	6 x 6 straight column	-	5.75	4.75	-	8.0	6.75	-	24
PEB181801	18 x 18 base	18.0	-	-	1.0	-	-	0.5	20
PEB242401	24 x 24 base	24.0	-	-	1.125	-	-	0.5	27

