



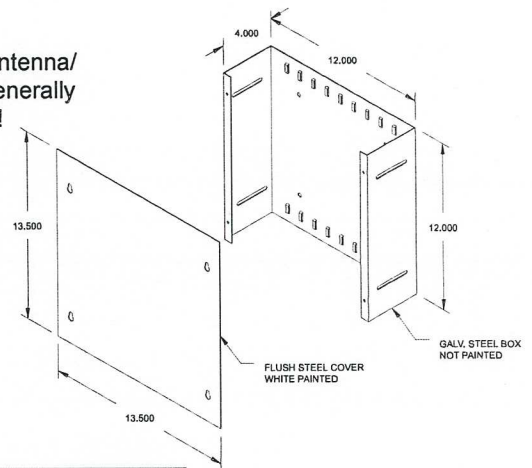
CR Series

Application:

Type 1 surface mounted Communication box use for Tv cable/ antenna/ satellite, security system, phone wiring, home networking etc. Generally used in condo and various building. Where technology is a must!

Construction:

- 18 Gauge galvanized steel unpainted
- Cover made of steel painted smooth white
- Pre-punched holes for vertical installation
- Screw-on cover.



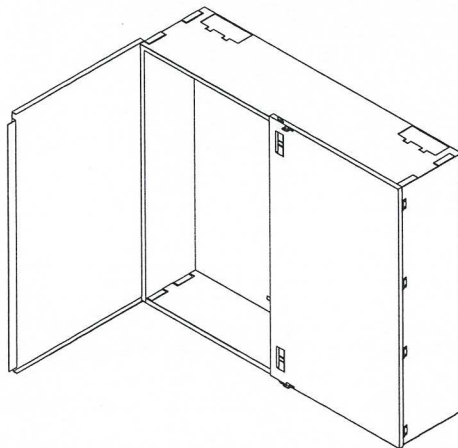
TECHNICAL READOUT

Catalog No.	Dimensions			Weight lbs
	A	B	C	
CR12124GAL	12	12	14	5



MC-HQ Series

EEMAC / NEMA 1 Metering Cabinets



Application:

Type 1 enclosure designed for indoor housing of metering transformers, for Quebec only.

Construction:

- 16 or 14 steel gauge
- Hinged door
- Retractable sealing hasp
- Removable mounting panels
- Grounding hole on mounting panel with grounding screw
- ANSI/ASA61 grey polyester textured powder coating inside out

Also Available:

- Special finishes & sizes

Standards:

- CSA certified 150359

TECHNICAL READOUT

Catalog No.	Dimensions (box)			Weight lbs
	A	B	C	
MC303010HQ	30	30	10	71
MC363612HQ	36	36	12	121
MC484812HQ	48	48	12	200

