



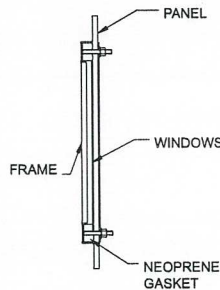
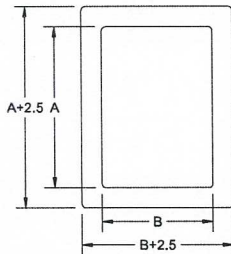
## Accessories

## Window Kits, Mounting Feet Kits

### AWK SERIES

#### Window kits

- Frame made with heavy gauge steel
- 1/4" thick clear polycarbonate (lexan)
- Shipped complete with all mounting hardware
- Oil-resistant gasketing insures water-tight seal
- Recommended cut-out size  $(A+2.5) \times (B+2.5)$
- Be sure to allow space for door handles, door stiffeners, print pockets or other items attached to the door when determining if a window kit fit in a door
- Custom sizes, materials and finishes available upon request
- ANSI/ASA61 grey polyester textured coating over a phosphatized base
- Stainless steel on request (Ex. AWK..SS)



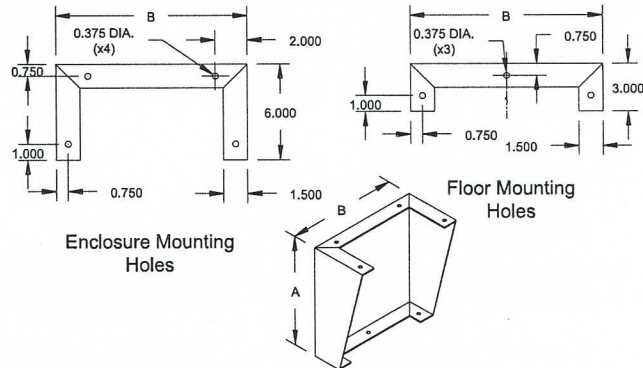
#### TECHNICAL READOUT

Catalog No.	A	B	FRAME (A+2.5) x (B+2.5)		Weight lbs
AWK53	5	3	7.5	5.5	1.4
AWK95	9	5	11.5	7.5	2.8
AWK1010	10	10	12.5	12.5	6.3
AWK1212	12	12	14.5	14.5	7.5
AWK133	13	3	15.5	5.5	3.3
AWK138	13	8	15.5	10.5	4.3
AWK175	17	5	19.5	7.5	4.9
AWK1711	17	11	19.5	13.5	6.4
AWK2315	23	15	25.5	17.5	9.2
AWK2919	29	19	31.5	21.5	13.3
AWK3523	35	23	37.5	25.5	17.1

### AMF SERIES

#### Mounting feet kits (pair)

- Made with heavy gauge steel
- ANSI/ASA61 grey polyester textured coating
- Suitable for R and HD enclosures
- Shipped complete with two (2) mounting feet and bolts for field installation
- Other sizes on request



#### HOW TO ORDER

- height of feet requires = 12", depth of enclosure - 6", mounting feet cat. no. is then AMF 1206

#### TECHNICAL READOUT

Depth "B"	Mounting Feet Height "A"									
	6"		12"		15"		18"		24"	
	Catalog No.	Weight	Catalog No.	Weight	Catalog No.	Weight	Catalog No.	Weight	Catalog No.	Weight
6	AMF0606	7.3	AMF1206	12.6	AMF1506	15.2	AMF1806	17.9	AMF2406	23.1
8	AMF0608	8.4	AMF1208	14.4	AMF1508	17.4	AMF1808	20.3	AMF2408	26.3
10	AMF0610	9.4	AMF1210	16.1	AMF1510	19.5	AMF1810	22.8	AMF2410	29.5
12	AMF0612	10.4	AMF1212	17.9	AMF1512	21.6	AMF1812	25.3	AMF2412	32.7
16	AMF0616	12.5	AMF1216	21.4	AMF1516	25.8	AMF1816	30.3	AMF2416	39.1
20	AMF0620	14.6	AMF1220	24.9	AMF1520	30.1	AMF1820	35.2	AMF2420	45.5
24	AMF0624	16.7	AMF1224	28.4	AMF1524	34.3	AMF1824	40.2	AMF2424	51.9

