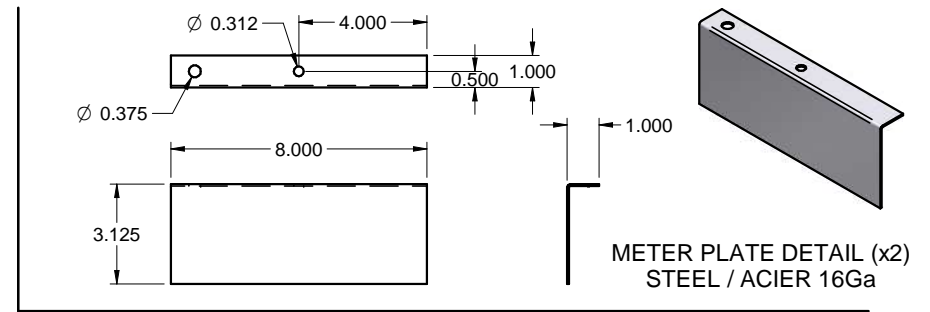
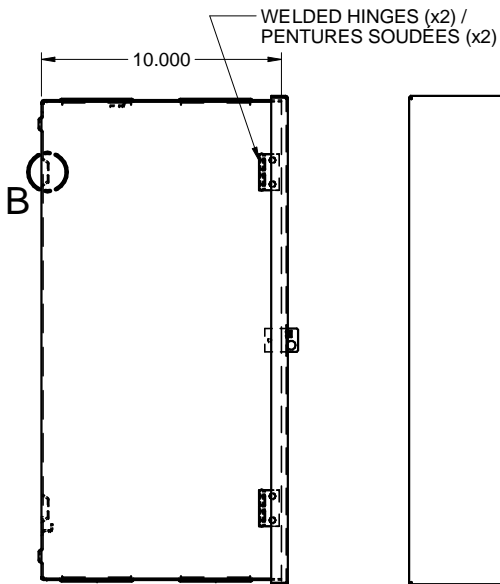


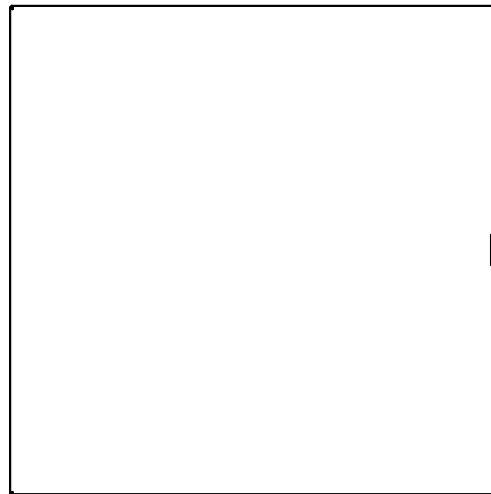
TOP / DESSUS



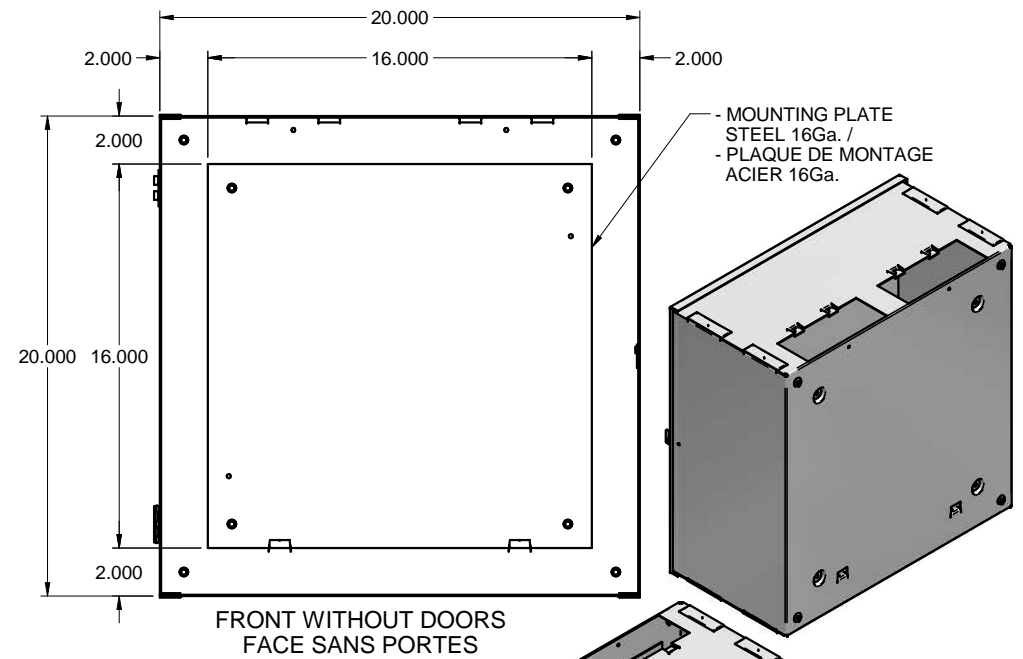
METER PLATE DETAIL (x2)
STEEL / ACIER 16Ga



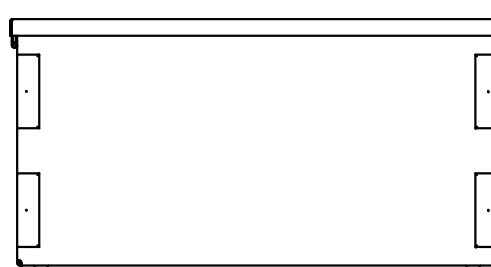
SIDE / CÔTÉ



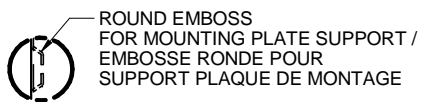
FRONT / FACE



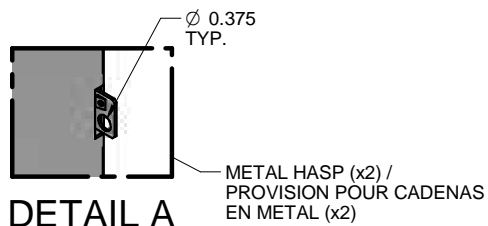
FRONT WITHOUT DOORS
FACE SANS PORTES



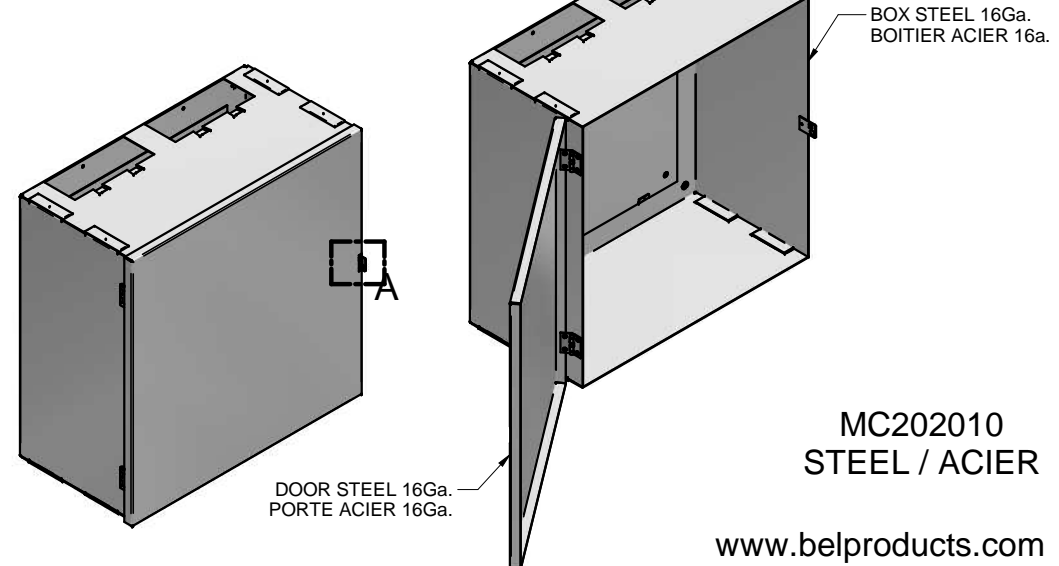
BOTTOM / DESSOUS



DETAIL B



DETAIL A



MC202010
STEEL / ACIER