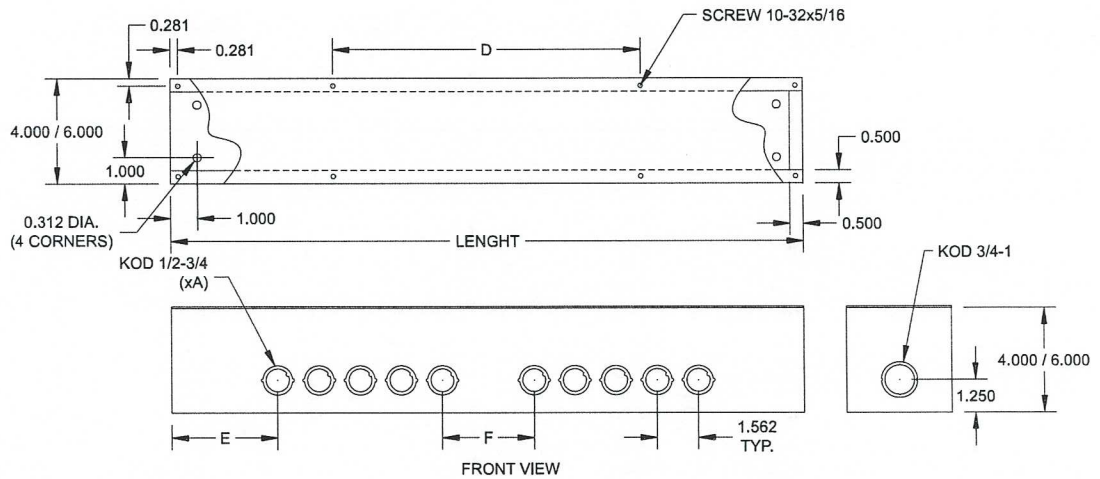
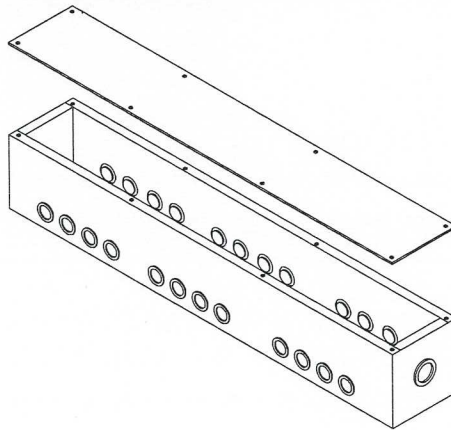




GT Series

EEMAC / NEMA 1 Gutter Through



TECHNICAL READOUT

Catalog No.	Knockouts A	Dimensions			
		D	E	F	Length
GT1244/GT1266	10	11.438	2.875	----	12.000
GT1844/GT1866	10	8.719	5.875	----	18.000
GT2444/GT2466	20	11.719	4.000	3.500	24.000
GT3644/GT3666	30	11.813	4.625	4.000	36.000
GT4844/GT4866	40	11.859	4.750	4.500	48.000

Application:

Type 1 enclosure, use as a junction or pull boxes and are suitable for surface mounting with a screw cover.

Construction:

- Boxes and covers are made from 16 GA steel.
- Screw on cover.
- Four mounting holes, groundig screw provided.
- ANSI/ASA61 grey polyester textured powder coating inside out.

Also Available:

- Special finishes and sizes

