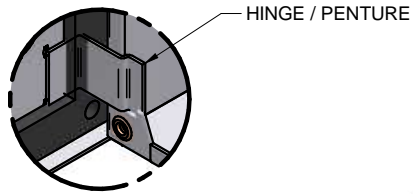
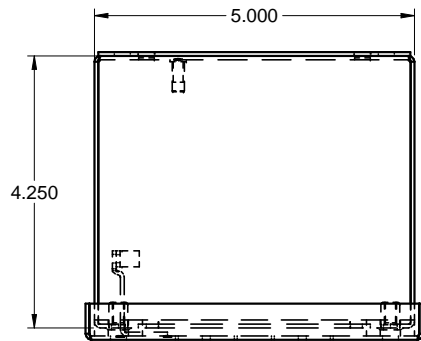


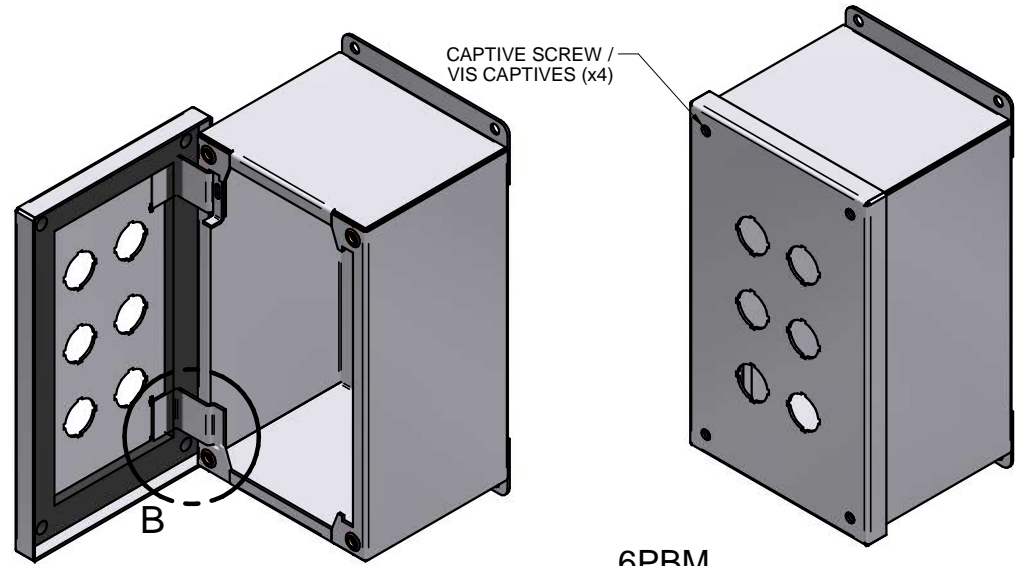
DETAIL A



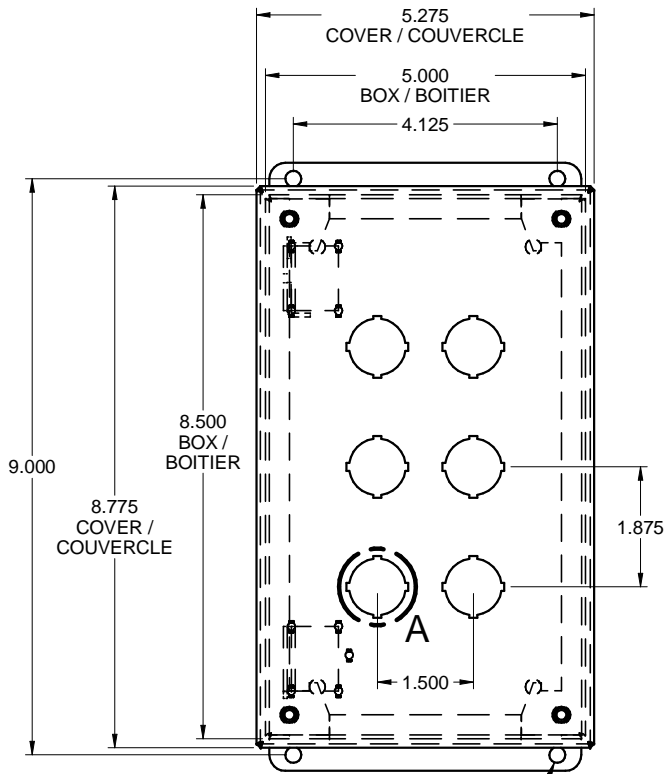
DETAIL B



TOP / DESSUS

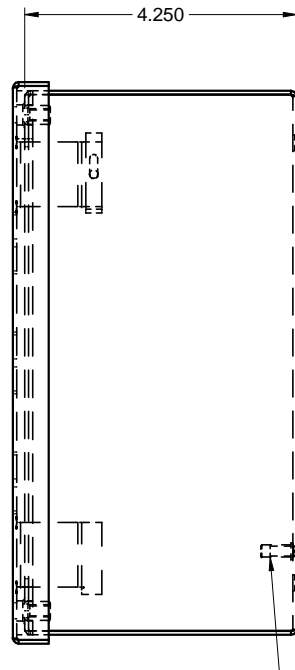


6PBM  
STEEL / ACIER



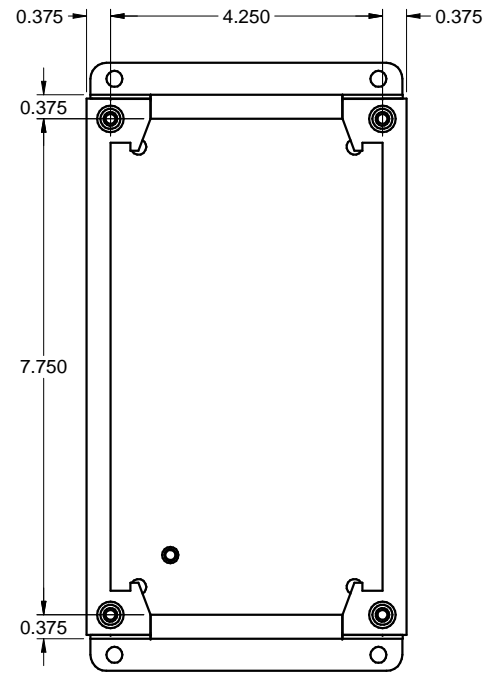
FRONT / FACE

Ø 0.250 (x4)

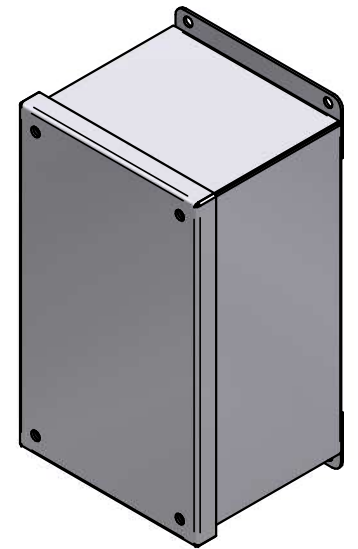


SIDE / CÔTÉ

GROUND STUD /  
GOUJON MALT



FRONT without door /  
FACE sans couvercle



6PBM  
without holes / sans trous  
STEEL / ACIER