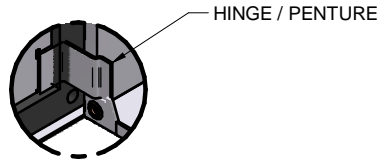
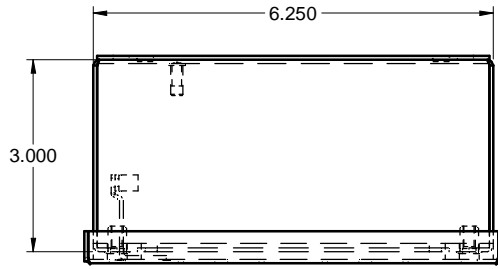


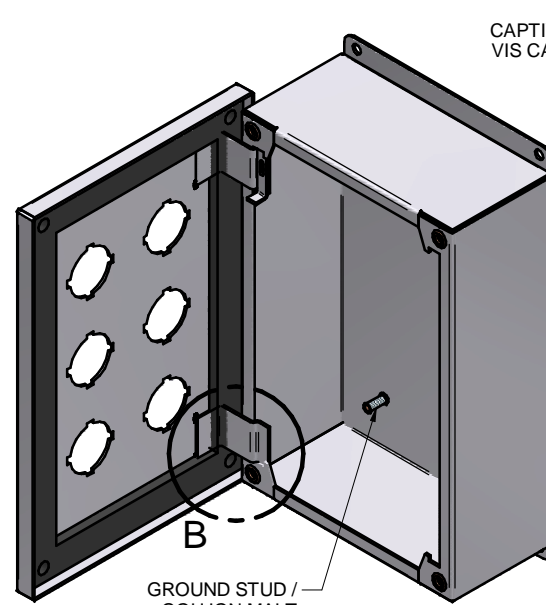
DETAIL A



DETAIL B



TOP / DESSUS

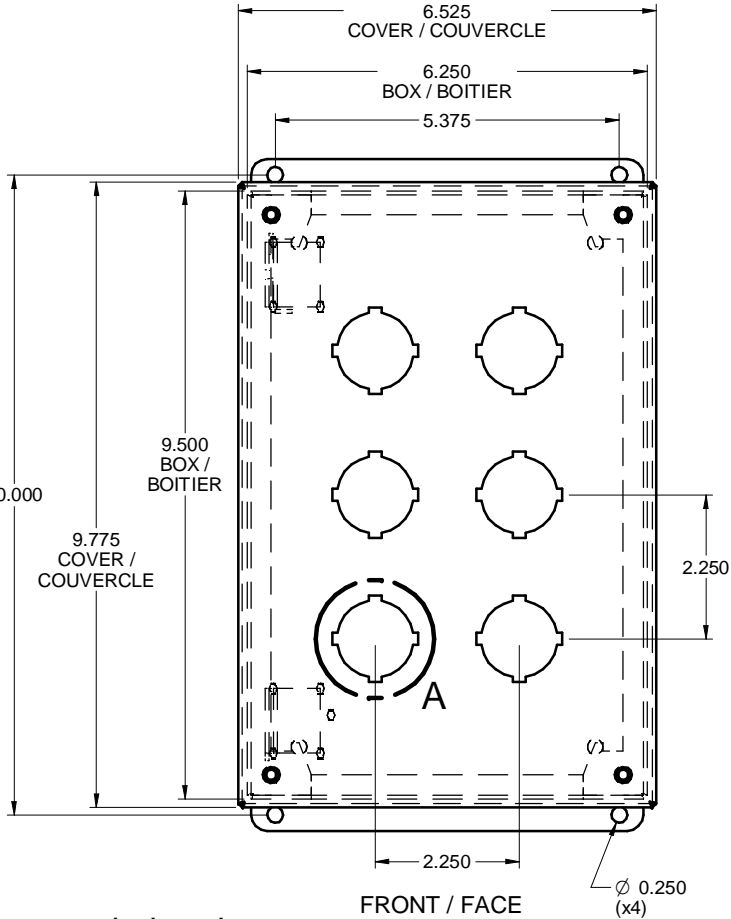


HINGE / PENTURE

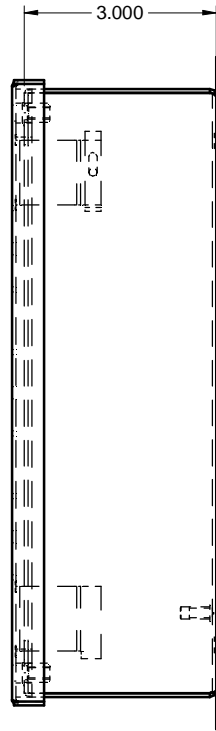
GROUND STUD / GOUJON MALT

CAPTIVE SCREW / VIS CAPTIVES (x4)

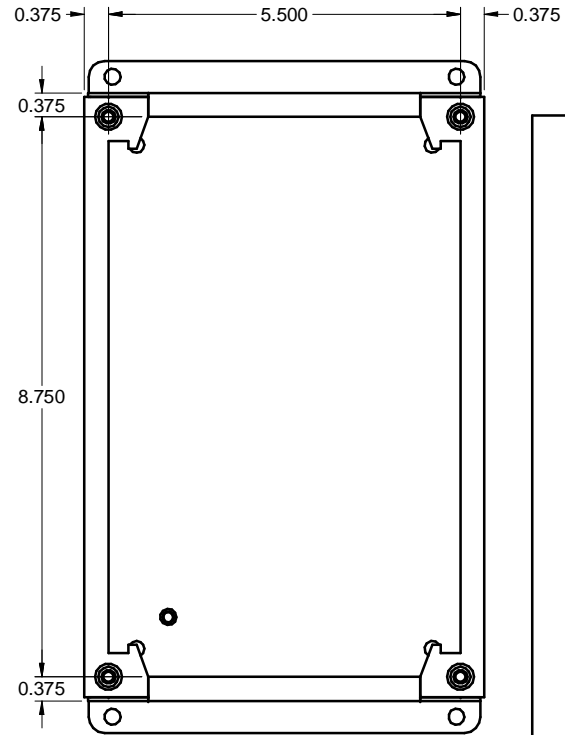
6PB
STEEL / ACIER



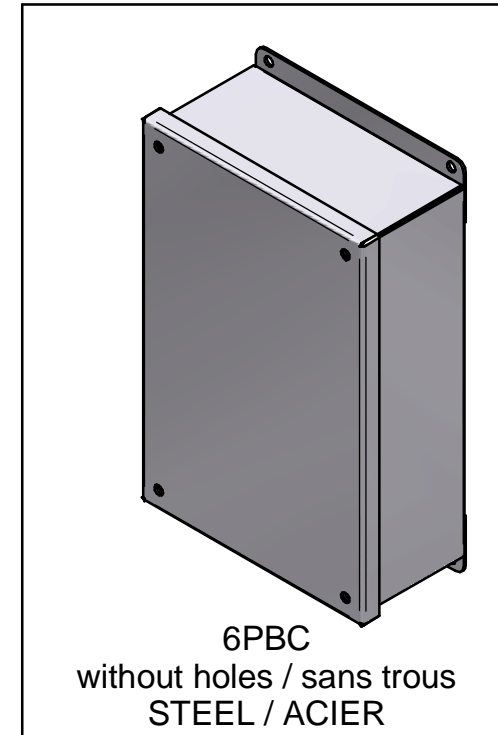
FRONT / FACE



SIDE / CÔTÉ



FRONT without door /
FACE sans couvercle



6PBC
without holes / sans trous
STEEL / ACIER