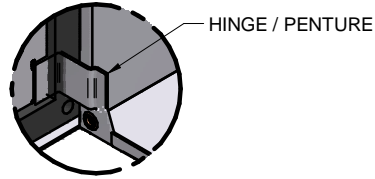
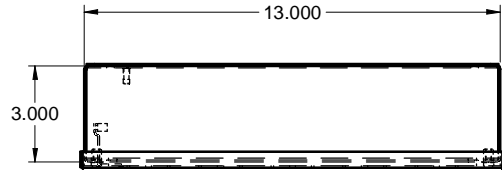


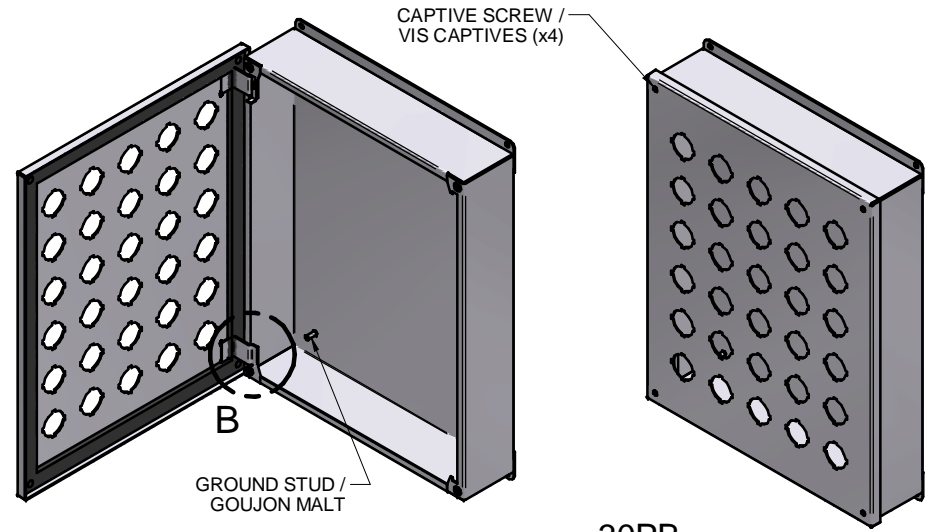
DETAIL A



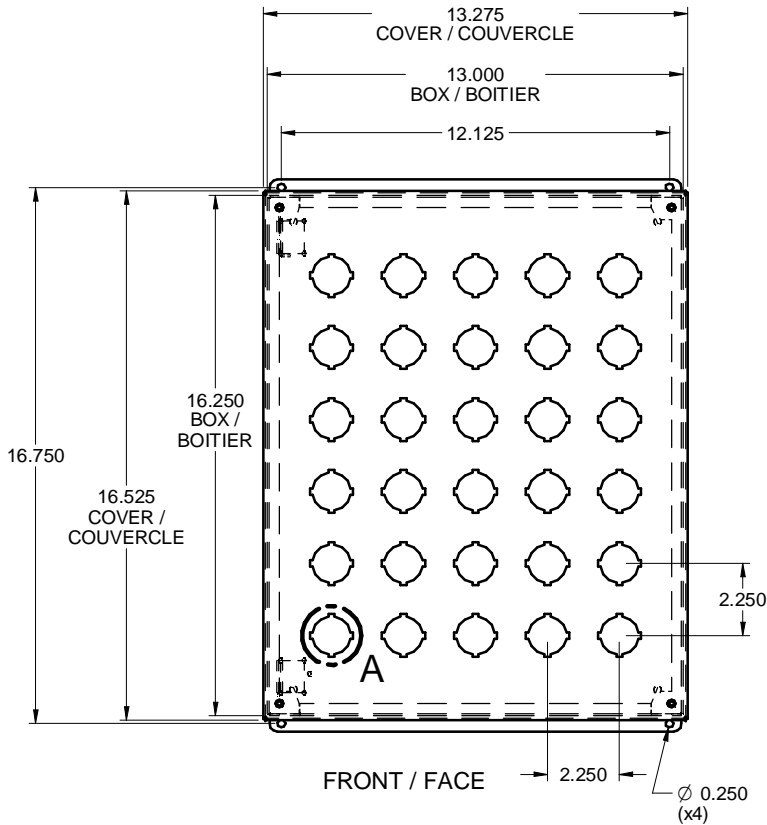
DETAIL B



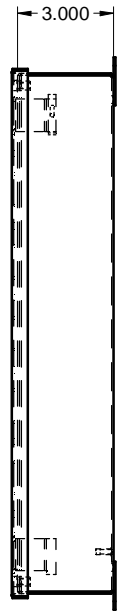
TOP / DESSUS



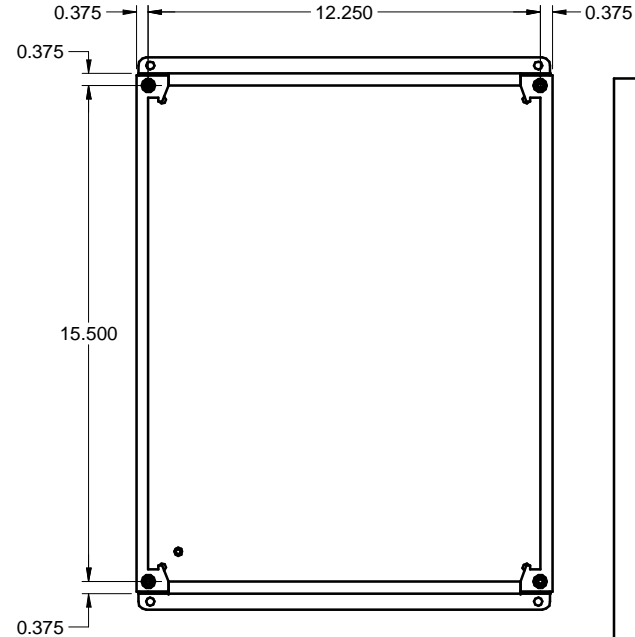
30PB
STEEL / ACIER



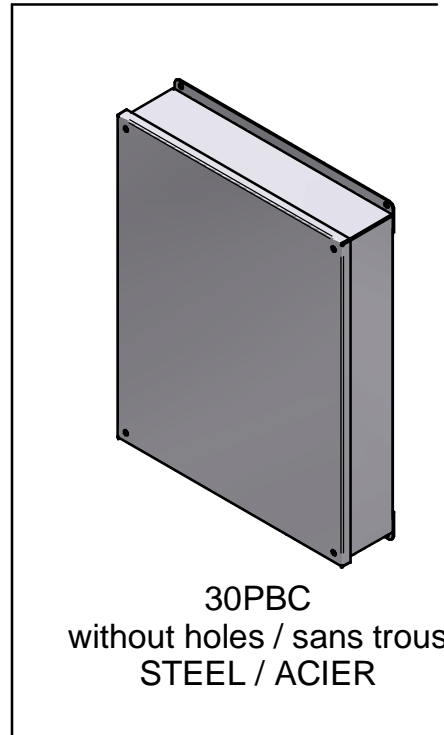
FRONT / FACE



SIDE / CÔTÉ



FRONT without door /
FACE sans couvercle



30PBC
without holes / sans trous
STEEL / ACIER